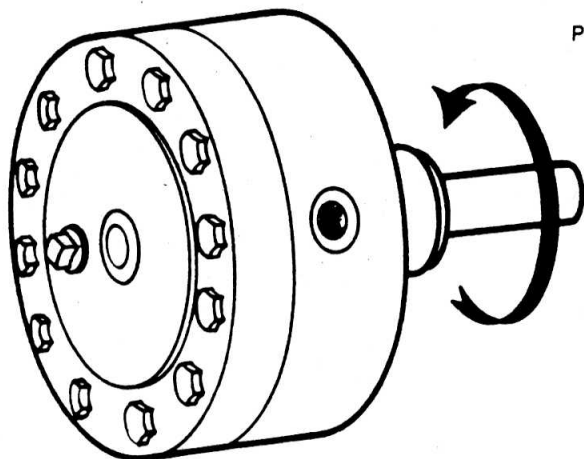
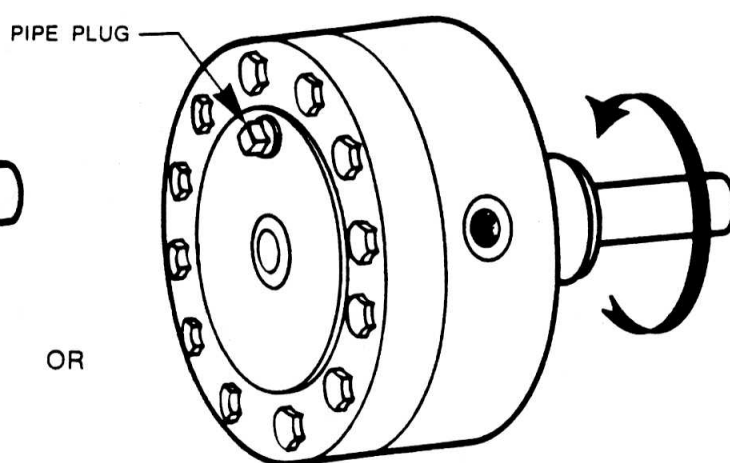


E-SERIES PUMP BYPASS RECOMMENDATIONS

9 O'CLOCK
POSITION



12 O'CLOCK
POSITION



9 O'CLOCK POSITION

This position shows the pipe plug at 9 o'clock. All E-series pumps are shipped in this position unless otherwise specified and pump bypass is directed back to pump inlet within the pump. Because of this, we also recommend the use of an external bypass valve on the pump discharge piping; set at 10 psid lower than the internal valve. This ensures that the pump will not be cavitated. The Eg-1Z pump internal bypass valve is set at 90 psid. The EC-HZ pump internal bypass valve is set at 90 psid.

12 O'CLOCK POSITION

This position shows the pipe plug at 12 o'clock. This can be done by rotating the pump cover from

the 9 o'clock position to the position shown. At this position, the internal bypass valve can only be used to direct pump bypass back to the supply tank. The internal bypass valve will not direct pump bypass back to the inlet side of the pump internally in this position.

Instead, ½-inch pipe (for Eg-1Z) or ¾-inch pipe (for EC-HZ) must be connected to the hole in the pump cover and piped back to the supply tank. In this regard, the internal pump bypass valve acts as an external valve. An external bypass valve piped into the pump discharge piping should not be installed if the pump bypass is piped in the 12 o'clock position. REFER TO INSTALLATION DRAWING FOR Eg-1Z and EC-HZ PUMPS FOR FURTHER INFORMATION.

SMITH PRECISION PRODUCTS COMPANY



Mailing Address: P.O. Box 276, Newbury Park, CA 91319 USA
 Shipping Address: 1299 Lawrence Drive, Newbury Park, CA 91320 USA
 Cable Address: Smithpreco, Newbury Park
 Telephone: 805/498-6616
 FAX: 805/499-2867