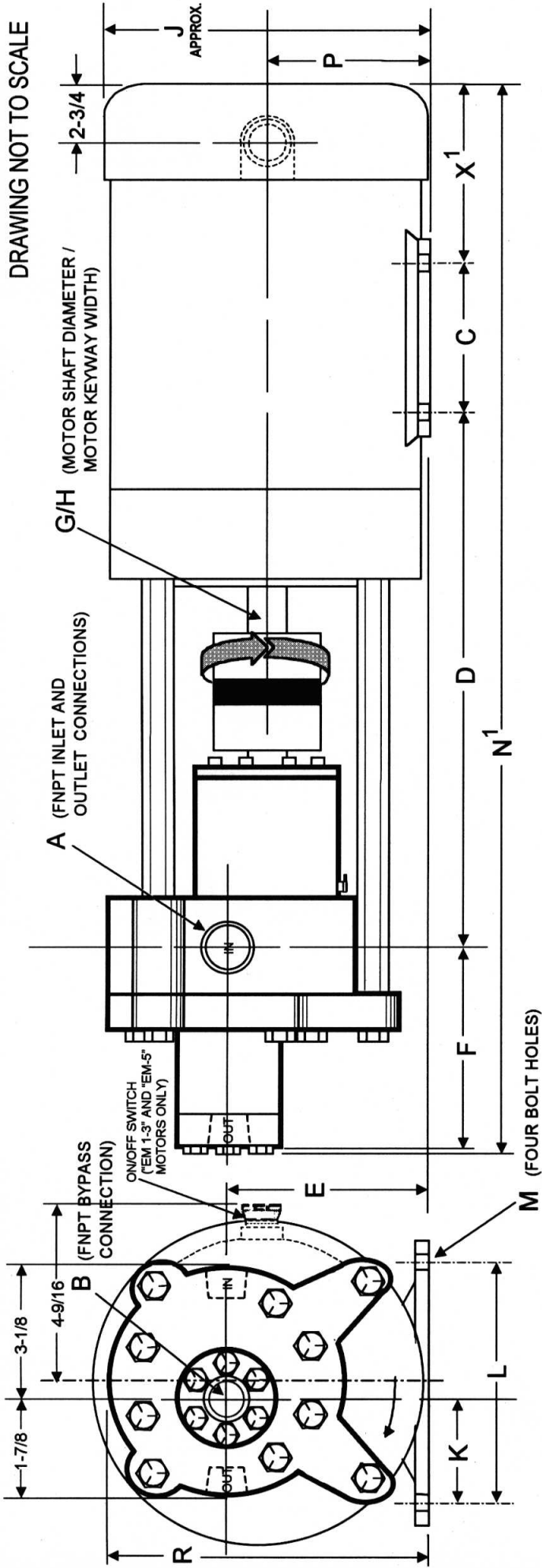


NOTE: THIS PUMP IS NOT REVERSIBLE. PUMP SHAFT DIAMETER IS 5/8.

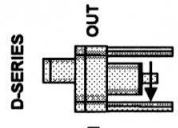


DRAWING NOT TO SCALE

PUMP MODEL NUMBER	MOTOR FRAME NUMBER	A	B	C	D	E	F	G	H	J	K	L	M	N ¹	P	R
DW-1Z	56C	3/4	1/2	3	9-3/4	4-3/16	3-3/4	5/8	3/16	7-1/8	1-13/16	4-7/8	11/32	22-1/4**	3-1/2	7-1/16
DW-1Z	143TC	3/4	1/2	4	9-9/16	4-3/16	3-3/4	7/8	3/16	7-1/8	2-1/8	5-1/2	11/32	23-1/2	3-1/2	7-1/16
DW-1Z	145TC	3/4	1/2	5	9-9/16	4-3/16	3-3/4	7/8	3/16	7-1/8	2-1/8	5-1/2	11/32	24-1/2	3-1/2	7-1/16
DW-HZ	56C	1	1/2	3	9-3/4	4-3/16	3-7/8	5/8	3/16	7-1/8	1-13/16	4-7/8	11/32	23-11/16	3-1/2	7-1/16
DW-HZ	143TC	1	1/2	4	9-9/16	4-3/16	3-7/8	7/8	3/16	7-1/8	2-1/8	5-1/2	11/32	24-15/16	3-1/2	7-1/16
DW-HZ	145TC	1	1/2	5	9-9/16	4-3/16	3-7/8	7/8	3/16	7-1/8	2-1/8	5-1/2	11/32	25-15/16	3-1/2	7-1/16

ALL NUMERALS IN DIMENSION TABLE AND ON DRAWING REPRESENT INCHES, ±1/16.

**1 AVERAGE VALUES ARE LISTED IN THE "N" COLUMN. WHEN THERE ARE DIFFERENT HORSEPOWER RATINGS, RPM RATINGS, OR OTHER MANUFACTURING VARIANCES IN THE SAME FRAME SIZE, THE MOUNTING DIMENSIONS REMAIN UNCHANGED, BUT THE "N" DIMENSION CAN BE LONGER OR SHORTER. DUE TO CORRESPONDING CHANGES IN MOTOR LENGTH, "X". FOR EXAMPLE, THE FIRST "N" DIMENSION IN THE ABOVE TABLE CAN ACTUALLY BE UP TO 2-3/16" LONGER THAN SHOWN.



DIMENSION DRAWING
D-SERIES
LIQUEFIED GAS PUMPS

SMITH PRECISION PRODUCTS COMPANY
1299 LAWRENCE DRIVE
NEWBURY PARK, CA 91320
RS 4-15-05

D-DW-1-HZ