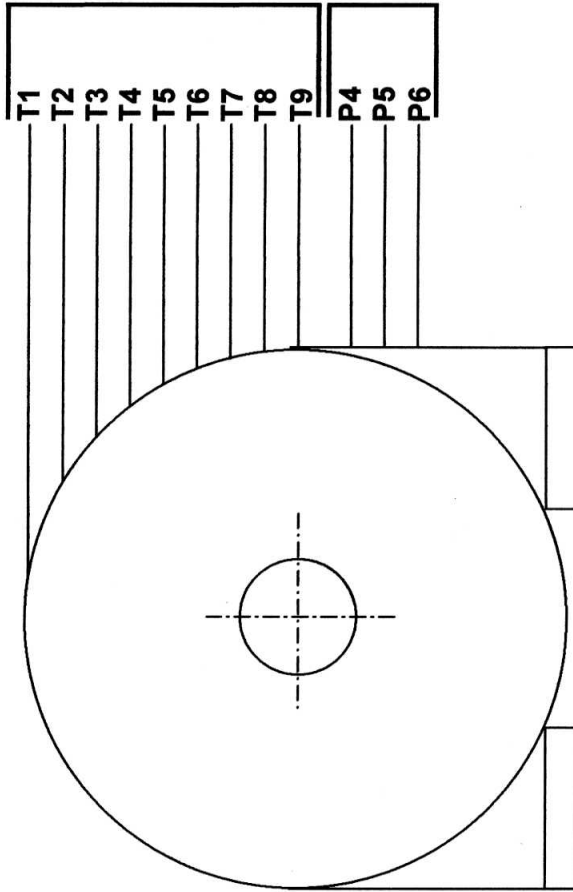


12-LEAD MOTOR 12-LEAD MOTOR 12-LEAD MOTOR 12-LEAD MOTOR 12-LEAD MOTOR 12-LEAD MOTOR 12-LEAD MOTOR 12-LEAD MOTOR

EXTERNAL CONNECTION DIAGRAM

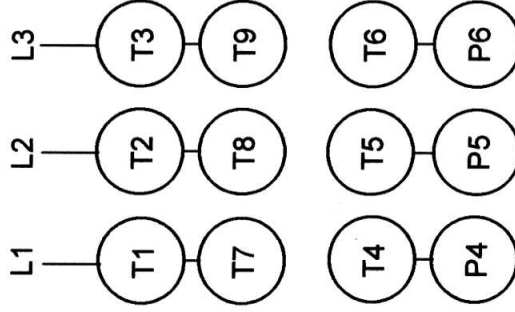
DUAL VOLTAGE – 3 PHASE MOTOR WITH NEUTRAL TYPE MOTOR PROTECTOR

MAKE SURE THE ELECTRIC MOTOR IS APPROPRIATELY GROUNDED. INSTRUCTIONS FROM THE ELECTRIC MOTOR MANUFACTURER SHOULD BE FOLLOWED. DO NOT IGNORE THE GROUND CONNECTION.

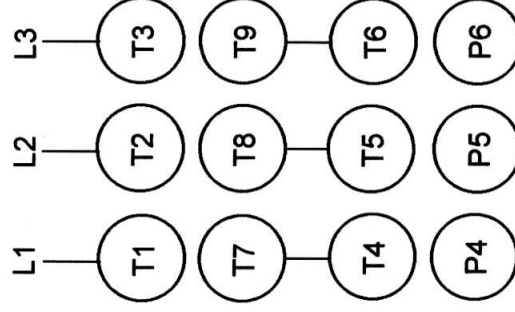


BRAKE NOT SUPPLIED. THERE ARE NO BRAKE LEADS.

LOWER VOLTAGE CONNECTION



HIGHER VOLTAGE CONNECTION



INSULATE P4 – P5 – P6 TERMINALS FROM GROUND AND FROM EACH OTHER



SMITH PRECISION PRODUCTS COMPANY

P.O. Box 276, Newbury Park, CA 91319 USA
1299 Lawrence Drive, Newbury Park, CA 91320 USA
Tel.: 805/498-6616 FAX: 805/499-2867

e-mail: SMPUMP1299@aol.com web: www.smithpumps.com