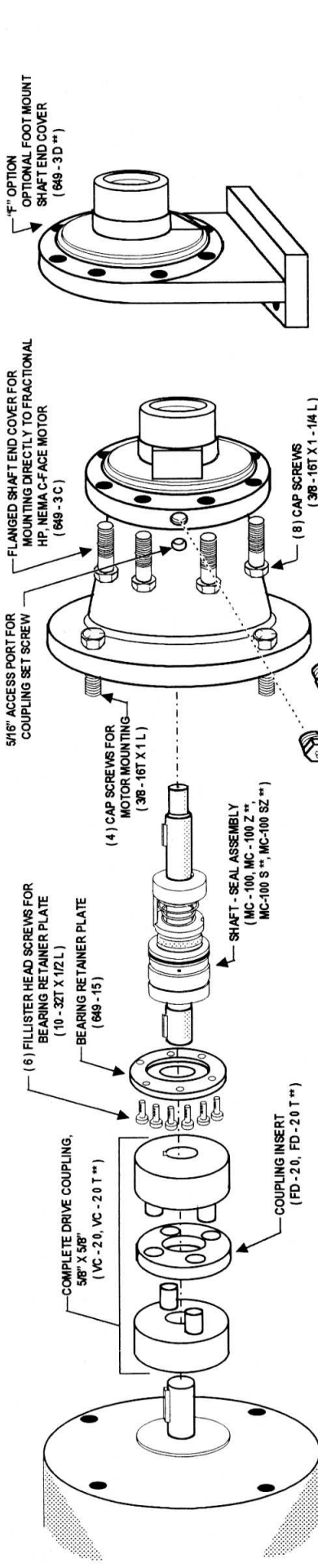
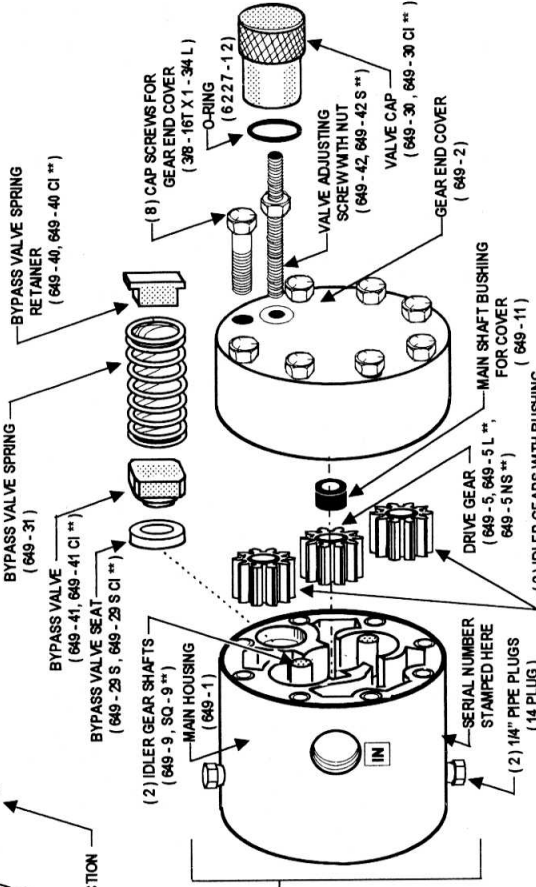


**PARTS FOR MODEL TYPE GC-1, GC-1L\*\*, MC-1, OR MC-1L\*\***

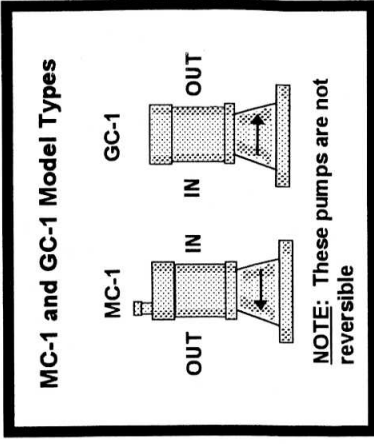


**\*\* NOTE: PARTS OR MODEL TYPES INDICATED BY ASTERISKS ARE FOR SPECIAL OR HEAVY-DUTY APPLICATIONS.**



**NOTE: 1/4\" NPT PLUGGED PORTS OPEN TO DISCHARGE PRESSURE ONLY**

**NOTE: 1/4\" NPT PLUGGED PORTS OPEN TO INLET PRESSURE ONLY**



**SMITH PRECISION PRODUCTS COMPANY**  
 P.O. Box 276, Newbury Park, CA 91319 USA  
 1299 Lawrence Drive, Newbury Park, CA 91320  
 Tel.: 805/498-6616 FAX: 805/499-2867 email: SMPUMP1299@aol.com