

**1 Inch, LP-Gas Meters**

Contains all essential accessories. Available with a variety of registers that include totalizer and resettable counter. Also available with Automatic Temperature Compensator.

Part no.	Description	Capacity
RL100-108A100S0	1"-4D w/o register	3 1/2 -13 GPM
RL100-108A102S0	1"-4D w/600 register, US gallons	
RL100-118A103S0	1"-4D w/600 register/ATC, US gallons	
RL100-108A30DS0	1"-4D w/833 printer register	
RL100-108A1VAS0	1"-4D w/Veeder-Root register	
RL100-108A60PS0	1"-4D w/E-1000 Register	
RL100-108AMBS0	1"-4D w/Mid:Com Register	
RL100-108AMMAS0	1"-4D w/Mid:Com Register w/Temperature Compensator	



RL100 Series Meter shown with E-1000 Register. For complete instructions, installation, operation, maintenance and parts manuals, visit [www.neptuneflowmeter.com/rfp.htm](http://www.neptuneflowmeter.com/rfp.htm)

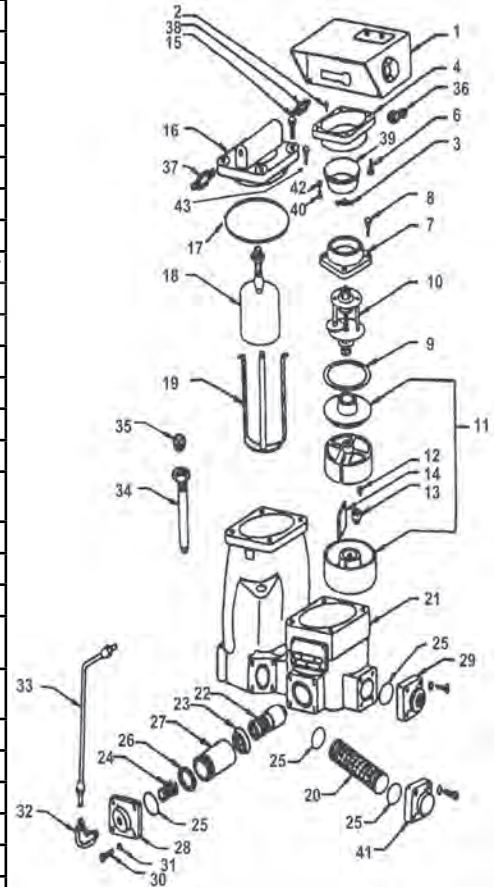
C1

**Type 4D Meters Parts Details**

Ref. no	Part no.	Description
1	100498-018	Register Complete, 600 Series, Gallons W/ATC
	100498-016	Register Complete, 600 Series Gallons Non/ATC
	100498-015	Register Complete, 600 Series Liters W/ATC
	100498-019	Register Complete, 600 Series Liters Non/ATC
2	733-001	Screw, 10-32 x 3/8 fil hd
3	82976-001	Star Conn W/set screw
4	100729-001	Adapter, 600 Series Register
6	Bolt, 1/4-28x1/2hex hd	
	100062-023	drilled
	100061-023	undrilled
7	400024-701	Main Case Cover Assembly
8	Cap Screw, 7/16-14 x 1-3/16	
	40237-005	drilled
	40237-004	undrilled
9	4861-016	Gasket, Main Case
10	Gear Train - Complete	
	80905-013	116.87 reduction (600; 10liter)
	80905-017	43.5 reduction (600; US gal) - Large Spindle
11	42075-101	Measuring Chamber Complete with Piston
12	42792-000	Pin, Seal
13	42086-000	Roller, Control
14	42791-000	Diaphragm
15	Cap Screw, 3/8-016 x 1 hex hd	
	100071-025	drilled
	100071-024	undrilled
16	400021-701	Cover, Vapor Release
17	100139-012	Gasket, O-Ring
18	87188-001	Vapor Release Float Assembly

Ref. no	Part no.	Description
20	101752-001	Strainer Kit, 88 mm
20A	101738-701	Strainer, 14 x 88 mesh
20B	100139-041	O-Ring, 1/8" x 1" Buna
21	400027-701	Main Case Assembly
	100370-022	Pin, Measuring Chamber Locating
—	100028-001	Kit, Valve
22	601342-001	Piston, Differential Valve
23	100025-009	U Cup, Valve
24	100024-001	Spring
25	100139-007	O-Ring, Cover
26	100139-006	O-Ring, Sleeve Sealing
27	100027-003	Sleeve, Valve
28	400020-702	Cover, Differential Valve
29A	600057-000	Flange, Inlet or Outlet, 3/4" NPT
29B	600057-001	Flange, Inlet or Outlet, 1" NPT
30	Screw, 5/16-18 x 7/8 hex hd steel	
	100064-026	drilled
	100063-026	undrilled
31	100121-010	Lockwasher, 5/16 steel
—	100017-011	Tubing Kit, Vapor Release
32	87195-001	Elbow, Male 1/4-90° (Flared tube fitting)
33	87196-001	Tube Assy, Vapor Release
34	1001906	Thermometer Well
35	83732-000	Cover, Thermometer Well
36	**	Change Gears (give dia. and number of teeth)
37	100135-002	Connector, Male 1/4 (flared tube fitting)
38	84826-000	Connector, Male 3/8 Flared
39	138-031	Register CUP
40	100059-024	Screw, 1/4-20 Hex Head
41	400025-701	Strainer Cover Assy
42	100737-001	Sleeve, Screw
43	733-001	Screw, 10-32 x 3/8 fil hd.

\*\*Call TEECO.



Prices subject to change without notice. Some items may not be in stock at all warehouses or may be special order. Please check with TEECO.

C1

Rev 3/17

Order Online: [www.teecoproducts.com](http://www.teecoproducts.com)  
e-mail: [info@teecoproducts.com](mailto:info@teecoproducts.com)

Sacramento, CA  
(800) 225-6621

Auburn, WA  
(800) 426-9456

Rapid City, SD  
(800) 843-8660

### 1 Inch, LP-Gas Meters (cont'd)

#### Neptune 4D-MD LPG Meter with E:Count LT Electronic Register

**C2** Ideal for dispensing LP-Gas into portable containers. The standard unit includes the base meter with a differential control valve, combination vapor eliminator/strainer, continuous bleed pressure relief valve, and tubing kit. The piston is treated with a special coating which protects it from damage by impurities and ensures smooth performance at low flows and high pressure.



RL100-50MAMMFS0

Part no.	Description
<b>Class 1 Div 2</b>	
<b>Remote Head</b>	
RL100-10M0PMASM	4D-MD Meter with Mid:Com Register, Pulsar & Temp Comp
RL100-1080PMBSM	4D-MD Meter with Mid:Com Register & Pulsar - w/o Temp Comp
<b>Class 1 Div 1</b>	
<b>Attached Head</b>	
RL100-50MAMMES0	4D-MD Meter with Mid:Com Register and Temp Comp
RL100-508AMMFS0	4D-MD Meter with Mid:Com Register - w/o Temp Comp

### 1¼ Inch, 1½ Inch, LP-Gas Meters

Part no.	Description	Capacity
RL125-11RG0D1MS	1¼"-4D w/833 register	5-30 GPM
RL125-11RG0A1MS	1¼"-4D w/831 register	
RL125-21RG0D1MS	1¼"-4D w/833 register/ATC	
RL125-21RG0A1MS	1¼"-4D w/831 register/ATC	
RL150-11RG0D1MS	1½"-4D w/833 register	12-60 GPM
RL150-21RG0D1MS	1½"-4D w/833 register/ATC	
RL150-11RG0A1MS	1½"-4D w/831 register	

For complete instructions, installation, operation, maintenance and parts manuals, visit [www.neptuneflowmeter.com/rfp.htm](http://www.neptuneflowmeter.com/rfp.htm)



### 2 Inch, LP-Gas Meters

Neptune's 2" LPG meter is the worldwide standard for truck mounted metering. The aluminum body flowmeter comes complete and ready for installation. The 2" Type 4D MT meter for Liquefied Propane Gas features a flanged outlet with ductile iron companion flange for easy installation and removal. The 2" Type 4D MT is 33% lighter in weight than the old 2" Type 4D. Backed by Red Seal Measurement's 3 year / 3,000,000 gallon measuring chamber limited warranty. Available with or without Automatic Temperature Compensator.

Part no.	Description	Capacity
RL200-118BRG0D2MS	2"-4D w/833 register, US gallons	20-150 GPM
RL200-218BRG0D2MS	2"-4D w/833 register/ATC, US gallons	

For complete instructions, installation, operation, maintenance and parts manuals, visit [www.neptuneflowmeter.com/rfp.htm](http://www.neptuneflowmeter.com/rfp.htm)



## Registers

Smooth operating, low torque, high speed registers. Mechanical printer wheels produce clean sharp tickets. 5 digit delivery display, 8 digit totalizer, 4 digit preset wheel, 6 digit printing wheel. Easily mounted.

### 600 Series Registers

Part no.	Description
100498-009	Direct reading for 3/4" meter
100498-016	Direct reading for 1" meter



### 800 Series Registers

Part no.	Description
880030-000	833-0 Direct reading for 1 1/4", 1 1/2", 2" meters, printer register
880010-000	831-0 Direct reading for 1 1/4", 1 1/2", 2" meters, reset register



### E1000

The E1000 provides simple and secure registration with flexible features: Displays volume or flow rate. Reads in gallons, liters or barrels. Automatic reset. Six digit display. Power saving sleep mode. Configurable to three decimal places. Non-resettable totalizer. NEMA 4x Enclosure. Programmable time out between deliveries.



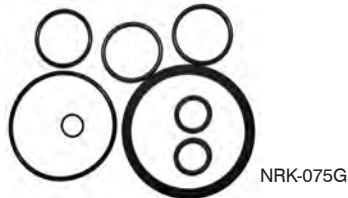
Part no.	Description
E1000	Base Electronic Register. Call Teeco to determine exact set of options desired
601016-000	Battery Pack for E1000

## Register Exchange Program

Exchange old registers for new. TEECO offers you the opportunity to exchange an old register core for credit on a new rebuilt register. 600 Series offers a 1 year or 1,000,000 gallon warranty. 800 Series has a 1 year warranty. Credit issued upon receipt of core and purchase of rebuilt register. Call TEECO for prices and details.

Part no.	Model Exchange
631-XS	Exchange, short shaft register
631-XL	Exchange, long shaft register
831-X	Exchange, register
833-X	Exchange, register

## Meter Field Service Kits



### 3/4" Field Service Kits

Part no.	Description
NRK-075G	Gasket kit; gaskets, O-rings, seal
NRK-075R	Repair kit; gasket kit plus measuring chamber

### 1 1/4" Field Service Kits

Part no.	Description
NRK-125G	Gasket kit; gaskets, O-rings, seals, pins, diaphragm
NRK-125R	Repair kit; gasket kit plus measuring chamber

### 1 1/2" Field Service Kits

Part no.	Description
NRK-150G	Gasket kit; gaskets, O-rings, seals, pins, diaphragm
NRK-150R	Repair kit; gasket kit plus measuring chamber

### 2" Field Service Kits

Part no.	Description
NRK-200G	Gasket kit; gaskets, O-rings, seals, pins, diaphragm
NRK-200R	Repair kit; gasket kit plus measuring chamber

## Repair Parts

101738-001



Part no.	Description
87185-000	88 mesh strainer, 3/4" meter
101433-704	80 mesh strainer, 1 1/2", 1 1/4" meter
101405-004	80 mesh strainer, 2" meter
100028-001	Differential valve, 3/4" meter
83947-003	Differential valve, 2"
1000624	Diaphragm differential, 1 1/4"
83946-007	Diaphragm, differential, NH3, 1 1/2"
83947-003	Diaphragm, differential, NH3, 2"
101738-001	80 mesh strainer, 1", 4D

## Measuring Chambers

Part no.	Description
42075-101	LP-Gas, 3/4"
43260-101	LP-Gas, 1 1/4"
83271-101	LP-Gas, 1 1/2"
45806-101	LP-Gas, 2"



Prices subject to change without notice. Some items may not be in stock at all warehouses or may be special order. Please check with TEECO.

## Liqua-Tech LP-Gas Flow Meters

C4

Model	Rate of Flow (GPM)	Working Pressure	Register Capacity	Temperature Compensation	Connections
LPM-102	3-18	350 psi	9999.9	-10° F. to +124° F.	1" NPT
LPM-200	20-110	350 psi	9999.9	-10° F. to +125° F.	2"

## LPM-102 Series 1" Flow Meters with Register

For retail sales dispensing units. Completely compatible with the Neptune Type 4D-MD 1" flowmeter; both its external dimensions and its internal parts. Includes vapor eliminator, strainer, differential valve and Veeder-Root register.



Part no.	Description
L090028-101	Non-printing register, no automatic temperature compensation

## Veeder-Root Registers

Five figure reset totalizer and an eight-digit non-reset totalizer. Available in U.S. or imperial gallons, liters, quarts, cubic meters, barrels, pounds, etc. Large numeric counter and ticket printer.

Part no.	Description
788700-002	Non-printing register
789002-002	Register with printer
L324695-015	Crystal Lens



### Register Exchange Program

Exchange old registers for new, model for model. TEECO offers you the opportunity to exchange an old Series register for the new Series register with the Veeder-Root Register exchange program. Call TEECO for details.

Part no.	Model Exchange
788700-002-X	Exchange 788700-002 Register
789002-002-X	Exchange 789002-002 Register

## Replacement Parts

### Register HeadChange Gears



Part no.	Description
L081230-018	.77 dia, 18T
L081230-019	.77 dia, 19T
L081230-020	.77 dia, 20T

### Measuring Chambers

Part no.	Description
L042075-101	3/4" x 1" standard
L042075-501	3/4" Low Flow, Trac bearing
L043260-101	1 1/4" Types 4 and 4D
L083271-101	1 1/2" Types 4 and 4D
L045806-101	2" Types 4, 4D, E and 4E

### Gear Trains

Part no.	Description
L080905-000	3/4" 174 LPG 106 register
L080905-012	3/4" 174 LPG 600 register
L080905-017	1" 43.5 LPG U.S. Gallons
L083501-000	1 1/4" 14.06 LPG U.S. gallons
L082710-054	1 1/4" 36.41 LPG liters
L084981-000	1 1/2" 9.375 LPG U.S. gallons
L083280-050	1 1/2" 9.648 refined U.S. gallons
L082892-003	1 1/2" 4.25 water U.S. gallons
L083280-052	1 1/2" 25.4184 LPG liters
L083502-000	2" 3.75 LPG U.S. gallons

### Strainers

Part no.	Description
L101738-001	1" strainer, 80 mesh
L087948-001	1 1/4", 1 1/2" strainer, 84 mesh, viton
L087948-002	1 1/4", 1 1/2" strainer, 60 mesh, viton
L087948-003	1 1/4", 1 1/2" strainer, 40 mesh, viton
L087948-004	1 1/4", 1 1/2" strainer, 16 mesh, viton
L083465-000	2" inner strainer, 84 mesh
L083465-001	2" inner strainer, 60 mesh
L083465-002	2" inner strainer, 40 mesh
L043054-000	2" outer strainer, 84 mesh
L043054-001	2" outer strainer, 60 mesh
L043054-002	2" outer strainer, 16 mesh
L043054-003	2" outer strainer, 40 mesh

**MA-7 Series**

**Model MA-7 Series Meters**

For truck and bulk loading applications. 20-100 GPM capacity range. Includes register, vapor eliminator and strainer.



Model	Rate of Flow (GPM)	Working Pressure	Register Capacity	Temperature Compensation	Connections
MA-7	20 - 100	350 psi	9999.9	-30° F. to +120° F.	1½" (2" optional)

Part no.	Description
MA-7-CY-10	MA-7 w/differential valve, backcheck valve and TVC
MA-7-GY-10	MA-7 w/differential valve, backcheck valve and TVC, printing register

For complete instructions, installation, operation, maintenance and parts manuals, visit [www.liquidcontrols.com/Publications/partsmanuals.html](http://www.liquidcontrols.com/Publications/partsmanuals.html)

See Pages C6-C7 for MA-7 Parts Breakdown

**Meter Accessories**

**Temperature Volume Compensator**

Automatically corrects registration to indicate volume at a selected base temperature (normally 60° F.)



Part no.	Description
D5120	Single product use, w/o bellows
D5120 WITH 25015	Temperature Compensator with 25015 Bellows

Note: D5120 Must be purchased with Bellows

**Steel Hose for MA-7 Meters**

Part no.	Description
81585	14" x 1/4" Steel Hose for MA-7 Meter
8158525	25" x 1/4" Steel Hose for MA-7 Meter

**Quick-Vent Meter Bleed Flange**

Quick-Vent replaces the blind strainer screen flange to allow for safe and easy meter evacuation when servicing the strainer screen in the meter.

Quick-Vent allows the operator of a bobtail or a technician to effectively and safely evacuate gases from upstream of the meter differential valve without loosening or removing component bolts.

Available as the MA98SLT with thermo-well, RTD port, and auxiliary port for 2-inch meters and as the MA20SLT for 3/4 and 1 inch meters. Quick-Vent incorporates a unique metering valve which allows for controllable bleed rates. No more loosening flange cap screws or fittings with sudden, uncontrollable discharge. All stainless steel construction. Allows evacuated product to be routed to a remote location or to a tank. UL recognized component for LP Gas service.

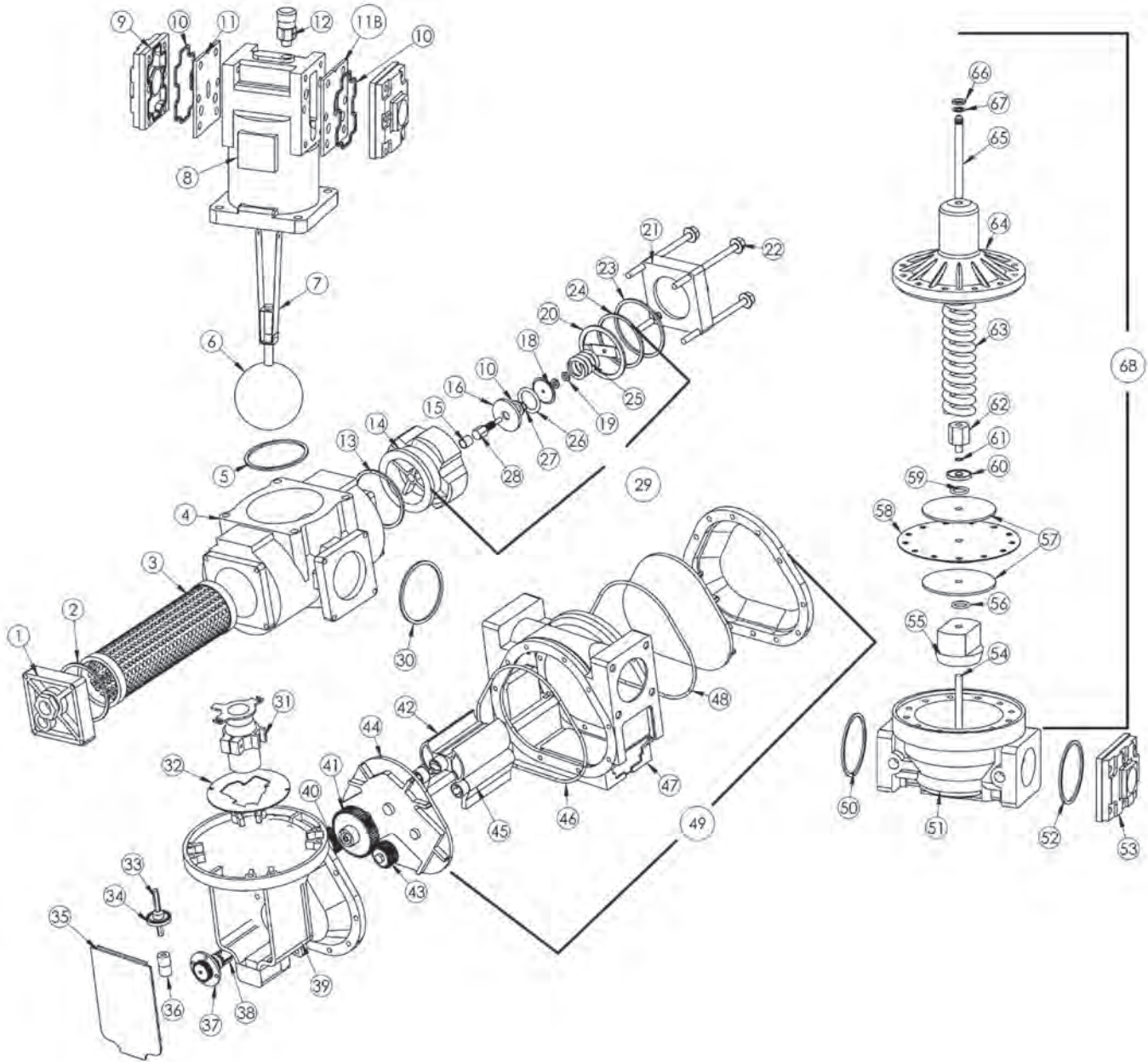


Part no.	Description
MA98SLT	2" Meter bleed flange
MA20SLT	3/4" and 1" Meter bleed flange
MA20STL W-GAUGE	3/4" and 1" Meter bleed flange w/gauge

**C5**

**MA-7 Series Parts Breakdown**

**C6**



Please see next page for parts list.

### MA-7 Series Parts List

Ref. no	Part no.	Description
1	501155	Thermoweld Assembly
2	09338	"O" Ring (on meters after 2000)
	06844	"O" Ring (on meters before 2000)
3	A2431	Strainer Basket 80 Mesh - Standard
	A2432	Strainer Basket - 100 Mesh
	A2439	Strainer Basket - 200 Mesh
4	49425	Housing
5	09335	"O" Ring
6	501040	Float & Reed Assembly
7	48571	Valve Reeds
8	49672	Housing
9	48329	Outlet Cover
10	42823	Seal Ring
11	42824	Valve Plate
11B	42822	Valve Plate
12	3127U	Relief Valve
13	06854	"O" Ring
14	47973	Check Valve Housing (on meters after 12/91)
	47994	Check Valve Housing (on meters before 12/91)
15	07867	Bushing
16	47975	Piston
17	09140	"O" Ring
18	47974	Retainer
19	09143	Self Locking Nuts
20	48337	Valve Spring Holder
21	A2283	Flange
22	09134	.375-16 x 4 1/4" Bolts
23	07838	"O" Ring
24	09137	Spiral Retaining Spring
25	09138	Compression Spring
26	09131	"O" Ring
27	47295	Spacer
28	NOT SOLD	Valve Stem
29	A2885	Back Check Valve (on meters after 12/91)
	A2883	Back Check Valve (on meters before 12/91)
30	06854	"O" Ring
31	49403	Adjuster Assembly
32	48479	Adjuster Mounting Plate
33	48287	Shaft Adjuster
34	40122	Face Gear
35	49390	Adjuster Plate Cover
36	417862	Bushing Shaft Drive (2)
37	48283	Pinion Gear 1:1, PM, 24-TOOTH, SS,- Standard

Ref. no	Part no.	Description
38	49561	Packing Gland Includes 48283LC Pinion Gear
39	49582	Counter Adapter Bracket
40	48756	Packing Gland Driver
41	48927	Blocking Rotor Gear
42	48927	Blocking Assembly Rotor
43	47647	Pinion Gear (2)
44	48301	Front Cover
	48302	Rear Cover
45	48928	Displacement Rotor Assembly
46	06850	"O" Ring
47	494451	Housing
48	09258	"O" Ring
49	L2321	Meter Element (MA7)
50	07838	"O" Ring
51	47096	Valve Housing Assembly
52	07838	"O" Ring
53	A2188	1 1/2" Steel Weld
	A2289	2" Steel Weld
54	NOT SOLD	Part of #51
55	49947	Piston
56	06856	"O" Ring
57	47308	Back-Up Plate (2)
58	502078	Diaphragm
59	07900	"O" Ring
60	47307	Spring Retainer
61	06070	Lock Washer
62	47309	Stand Off
63	47305	Compression Spring
64	47302	Valve Cover
65	47098	Rod Assembly
66	06055	Nut
67	06663	Flat Washer
68	A2843	Complete Valve Assembly

#### Additional Parts

Part no.	Description
81527	3-Way Solenoid Valve
E403011	Lap Pad for LCRII
825001	Power Supply for Printer
81585	14" SS Hose
8158525	25" SS Hose
D5120 WITH 25015	Temp Comp w/Bellows
08135	Hex Head Screw, Drilled
07405	Hex Head Screw, Not Drilled

Prices subject to change without notice. Some items may not be in stock at all warehouses or may be special order. Please check with TEECO.

C7

Rev 3/17

Order Online: [www.teecoproducts.com](http://www.teecoproducts.com)  
e-mail: [info@teecoproducts.com](mailto:info@teecoproducts.com)

Sacramento, CA    Auburn, WA    Rapid City, SD  
(800) 225-6621    (800) 426-9456    (800) 843-8660

C7

C8

## American Meter

Residential Meter- Propane 165 CFH at a maximum working pressure 5 psig. Die-cast aluminum alloy construction. Available with temperature compensation to accurately and automatically provide index readings in standard units of measurements at 60°F. base temperature for ambient temperature from -30°F. to + 140°F. Maximum BTU rating is 404,000.



To find LPG CFH from natural gas CFH, multiply by 0.66.

Part no.	Description
AM-250	165 CFH, 3/4" side inlet/outlet F.NPT connections, non-compensated, 1/2" drop
AM-250-TC	165 CFH, 3/4" side inlet/outlet F.NPT connections, temperature compensated

## Sensus Equimeter

Residential Meter- Propane 155 CFH at maximum working pressure 5 psig. Temperature compensation standard. Flexible installation options with 3/4" NPT or top connections in all industry standard ferrule sizes. Factory-installed universal mounting brackets. Maximum BTU rating is 387,500.



To find LPG CFH from natural gas CFH, multiply by 0.66.

Part no.	Description
S-275	155 CFH, 3/4" side inlet/outlet F. NPT connections, Temperature compensated, measures gallons.
S-275CF	155 CFH, 3/4" side inlet/outlet F. NPT connections, temperature compensated, measures cubic feet

## Metris Metering Systems

### Metris Residential Meter - Propane

250 CFH at maximum working pressure 5 psig. Temperature compensation standard. 3/4" or 1" Female NPT.

More compact and 20% lighter than traditional meters. Square base and lower weight provide for stability and reduced shipping costs. Compatible with all AMR manufacturers.

Part no.	Description
METRIS250-TC	250 CFH, 3/4" or 1" inlet/outlet F.NPT connections, temperature compensated
METRIS250-KIT	Fittings kit

To find LPG CFH from natural gas CFH, multiply by 0.66.



## Scales

### Fairbanks Portable Beam Scales

Large 18" x 27" platform and 1,000 pound capacity. Meets or exceeds National Bureau of Standards Handbook 44 requirements for commercial accuracy.

Part no.	Description
41-3132	Portable beam scale, 1,000 lb. capacity



### Detecto Platform Bench Scales

Construction is sturdy and durable, finish is smooth and will remain mar-resistant even after years of rugged use. Beams are easy to read. Platform measures 10½" x 14½", height 27", 350 lbs. capacity.

Part no.	Description
4520-350	350 lb. capacity

