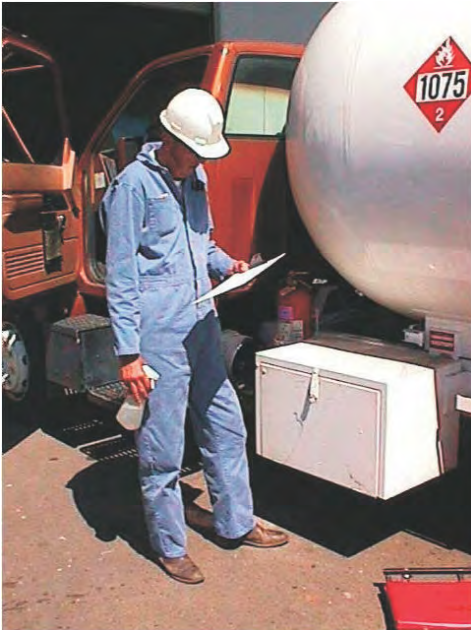


Truck Inspection and Repair

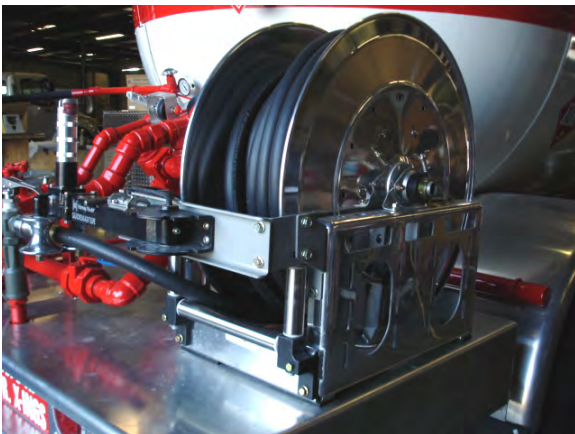
INSPECTION AND REPAIR OF BOBTAILS, CYLINDER TRUCKS, SERVICE TRUCKS, CRANE TRUCKS AND MORE.

Teeco's Sacramento, CA facility is equipped and ready to take care of your truck inspection and repair needs. We offer a complete range of LP-Gas equipment, fabrication, repair and inspection services at our Sacramento, CA Superstore. Call Teeco Products today to see how we can help with your next project. **800-225-6621**



D.O.T. registered for certified inspection and repair services of:

- Hydro Testing
- Visual Inspection
- Leak Testing
- Internal Inspection
- Piping, Pumping and Metering Systems
- Hose Reels
- Hose Assemblies
- Fabrication
- Remote Shutoff Systems



01

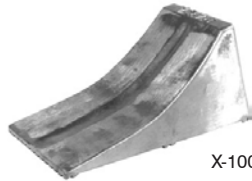
Vehicle Safety Equipment

Chock Blocks

Safety wheel chocks. Easy to handle. Double grip safety design. Meets all federal and state OSHA requirements. Aluminum construction.



ME200



X-100

Part no.	Description
ME200	Powder Coated Aluminum Chock block
X-100	Aluminum chock block

“Tuff-Flare” Warning Flare

Folding plastic emergency warning flare. Set of three in plastic box. Positive lock base. Will not tip over. Exceeds FMVSS125 specifications. Day-glo orange an high intensity red reflector.



Part no.	Description
950-TUFF	Set of 3 flares in plastic case

Fire Extinguishers

Part no.	Description
5ABC	Fire Extinguisher 5 lb.
5BRK	Bracket for 5 lb. fire extinguisher
20ABC	Fire Extinguisher 20 lb.
20BRK	Bracket for 20 lb. fire extinguisher



Rechargeable LED Road Flares



Part no.	Description
LED	Heavy Duty, Rechargeable LED Road Flare
LED6	6 Heavy Duty, Rechargeable LED Road Flares w/Hard Carrying Case

Dog Repellent

Dog Repellent

Cayenne pepper spray. Will not injure animals permanently.

Part no.	Description
11-38-85	1½ oz. can



Flashlights

AWF-22 is UL and CSA approved. Features a crush resistant case, unbreakable lens, switch guard, spare bulb holder, ring hanger and anti-roll design. Molded in international safety orange.

H-22 features an unbreakable Tuflexx lens, crush resistant reinforced case, anti-roll tube. Proven industrial quality. Both use 2 “D” size batteries (not included)



Part no.	Description
AWF-22	Industrial Flashlight
H-22	Economy Flashlight

First Aid

Burn Spray

Topical anaesthetic. Ideal for LPG and NH₃ burns.

Part no.	Description
11-38-51	3 oz. spray



First Aid Kits

First aid kits meet ANSI standard Z308. 1-1998. Metal gasketed case.

Part no.	Description
01-15-60	First aid kit, 10 units
01-15-80	First aid kit, 16 units



Placards



PH



1075

Part no.	Description
PH	Slidemaster Placard Holder, Stainless Steel
1075	Flip Placard System for LPG & NH ₃

02

TeleRadio Bobtail Remote Control System

Vehicles Affected: Cargo tank motor vehicles less than 3500 gallons in metered delivery service (common bobtail). Existing equipment will need to be retrofitted with emergency discharge control equipment, eg. off-truck remotes, no later than the first scheduled pressure test after 7/01/2001. All retrofits must be completed by 8/01/2006. All new vehicles and remounts must be equipped with off-truck remotes. Let the experts at TEECO handle your bobtail remote control system needs and help your company comply with DOT regulations.

Receiver/Decoder

The receiver/decoder connects in parallel to the existing equipment control circuitry. The digital receiver decodes data sent from the transmitter, check the data for accuracy, outputs commands and verifies the system is operating correctly.

Sensitivity- -110 dBm at 20 db (S/N)

Diagnostics- Status LED's

Power Options- 12/24AC/DC @ 1.2 VA, 48 VAC, 115 VAC, or 220 VAC

Contact Rating- 250 VAC, @ 8A (resistive)

Enclosure- Sealed polycarbonate

Operational Distance- 200 ft. environment dependent

Operational Temp.- (-10 to 140)° F.

Frequency Band- 433.92 MHz

Modulation- FM

Coding- Digital

Security Codes- 6,581 dipswitch set codes

Dimensions -2.4" H x 4.7" W x 4.7" D



Transmitter

The TeleMini command/transmitter module was designed to be easily operated with one hand and light weight enough for extended use without fatigue. Radio emergency control permits unrestricted movement. Peripheral switches have been designed for long lasting usage and inherently designed to aid in the prevention of damage due to inadvertent use.

Diagnostic- LED status of operation w/low battery indication

Power- Standard 9V alkaline battery

Carry- Optional belt clip

Enclosure- Impact resistant polymer

Dimensions- 2.4" W x 3.9" L x 0.9" D

Weight- 4 oz. (including battery)



Part no.	Description
T60RX-04PRO	Receiver
401LI9	1-function transmitter
402LI9	2-function transmitter
403LI9	3-function transmitter
404LI9	4-function transmitter
ANTKIT10	Antenna w/ 10' cable
ANTKIT25	Antenna w/ 25' cable
CO-H	Leather cover for transmitter

Frame Mounted Cooling Unit

THERMAFLOW hydraulic coolers are designed to be as light weight as possible yet still provide top performance for your hydraulic drive. The SS934 hydraulic cooler is an extremely versatile unit, able to support applications such as chemicals, compressed gasses, food grade, crude oil, vacuum pumps and combo drives.

By adding a light weight THERMAFLOW unit to your system, you save considerable amount of weight on your vehicle, allowing you to haul more product. A top feature of the SS934 is its compact design, allowing users to mount the unit directly to the frame rail without taking up valuable space. At only 9.25" wide, it will fit all of your applications. If mounting behind the cab is what you need, Thermaflow offers a mounting bracket kit that will simplify your installation.

The Model 934 will drive most 3" and 4" product pumps and compressors, with options for multi-pump applications.

Part no.	Description
SS934HR	Hydraulic Cooling Unit



03

BASE Engineering ASK Series

Fuel Delivery Truck Radio Remote Controls

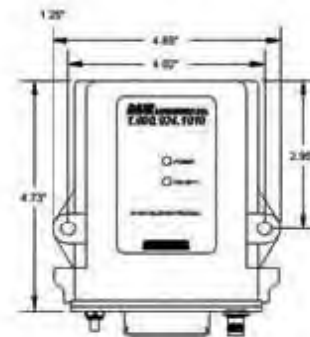
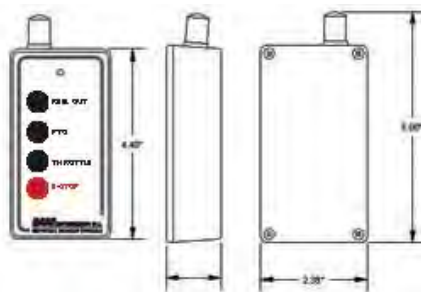
Developed specifically for fuel delivery truck applications requiring intrinsically safe, explosion proof handhelds. One to eight remote control functions available with rugged, waterproof, cast aluminum handheld. Typical applications include: PTO, THROTTLE, HOSE REEL, QUERY, and EMERGENCY STOP or any other chassis/tank operation. Systems are available to connect with all types of truck engine and chassis controls and quick-connect wire harness can be ordered as a "factory" installed OEM option in many new truck chassis allowing "plug and play" tank up-fitter installation

Field programmable for latched, momentary, or safety latched operation. 300 hour continuous transmission double "A" batteries with low battery warning. External receiver "learn" button allows easy transmitter replacement. Optional pre-wired solenoids are available for pneumatic, hydraulic, or electric control interface as required. modular components allow for easy installation and field Replacement. Systems can be specified or Fisher or Rego internal valves, Hannay or Reelcraft hose reels, muncie or Chelsea PTO's, and any type of truck engine. System complies with DOT HM225A requirements for "off truck remote controls" and is available with "Query" option for 5-minute auto shut off after 30 second alarm (for LPG tank trucks larger than 3500 USG). Also available with "PTO Delay" feature which automatically opens tank internal valve for 5 seconds prior to engaging PTO allowing pump and product lines to charge preventing internal valve slug.

Part no.	Description
ASK100TX	Single function remote transmitter
ASK200TX	Two function remote transmitter
ASK300TX	Three function remote transmitter
ASK400TX	Four function remote transmitter
ASK100RX	Receiver, 1 function
ASK200RX	Receiver, 2 function
ASK300RX	Receiver, 3 function
ASKG400RX	Receiver, 4 function
CAS1000	Case, leather
CAS2000	Case
ANT1000	Antenna
COAXT-15	Antenna Cable, 15 ft (other lengths available)



Note: RVC Series is no longer available. Please call Teeco to convert to ASK Series.



Reminder: When replacing existing unit, please provide current model & serial # for existing unit. When replacing transmitter or receiver, please provide functions on handheld (ie, PTO, Throttle, etc.)

Teeco is a full line distributor of BASE Engineering. Additional products available. Please call TEECO for information.

Prices subject to change without notice. Some items may not be in stock at all warehouses or may be special order. Please check with TEECO.

How to Order Hose Reels

Ordering hose reels need not be confusing. All the manufacturer needs to know is the space you have to mount the reel, the type of reel you prefer, together with the information listed below:

1. Advise overall height, width and depth of available clear space for installation.
2. Specify I.D. of hose and length desired.
3. Specify electric, spring-operated or crank rewind.
4. If electric, specify 6 or 12 volt.
5. If crank rewind, specify right or left hand crank.
6. Specify top or bottom wind.
7. Specify right or left inlet and I.P.T. size desired.
8. Specify joint desired, straight or 90° elbow.
9. Specify top or bottom rollers, if desired.

Hannay LPG Hose Reels

Call TEECO Sacramento for specific applications, reels currently in stock and pricing information.

Series	Rewind	Motor	Brakes & Locks	Inlet	Outlet	Rollers	Operating Pressure/Temp.	
PB	Gear-driven crank or sprocket	Electric, hydraulic or compressed air	Pinion (crank) or strap (power)	1½" FNPT 90° swivel	1½" FNPT flanged riser	Optional	600 psi -60° F. - +175° F.	
PBGMT	Chain or sprocket		Strap			Pinion		Guidemaster top mount
PBGMB	Chain or sprocket							Guidemaster bottom mount
PBM	Liquid Chain or sprocket Vapor Gear driven crank		n/a			Optional		
SPBN800/SPB800	Spring*		Ratchet	1" FNPT 90° swivel"	1" NPT flanged riser	4-way	1000 psi -60° F. - +175° F.	

* A hose stop should be used to prevent damage to rollers and nozzles and permit adjustment of free hose length.

PB Series

Manual or power rewind reels, to handle single 1" through 1½" I.D. hose. Explosion-proof. Used singly or in pairs for liquid and vapor return hoses.

Hose Capacity of Reel	
1" I.D.	1½" I.D.
150' - 250'	50' - 110'



PBGMT Series

Power rewind reels with top-mounted *Guidemaster*. Handles single 1" through 1½" I.D. hose. Ideal for open deck or compartment mounting when recovery is at an angle other than straight off the reel.

Hose Capacity of Reel	
1" I.D.	1½" I.D.
150' - 200'	50' - 110'



PBGMB Series

Power rewind reels with bottom-mounted *Guidemaster*, to handle single 1" through 1½" I.D. hose. Ideal for open deck or compartment mounting when recovery is at an angle other than straight off the reel. *Hose sold separately.*

Hose Capacity of Reel	
1" I.D.	1½" I.D.
150' - 200'	50' - 110'



PBM Series

Power rewind liquid reel with manual rewind vapor reel. To handle 1" through 1½" liquid hose and 1/2" through 1" vapor hose. Each reel is supported individually.



Hose Capacity of Reel				
Liquid		Vapor		
1" I.D.	1½" I.D.	1/2" I.D.	¾" I.D.	1" I.D.
150' - 200'	50' - 110'	175' - 225'	80' - 100'	75'

SPBN800/SPB800 Series

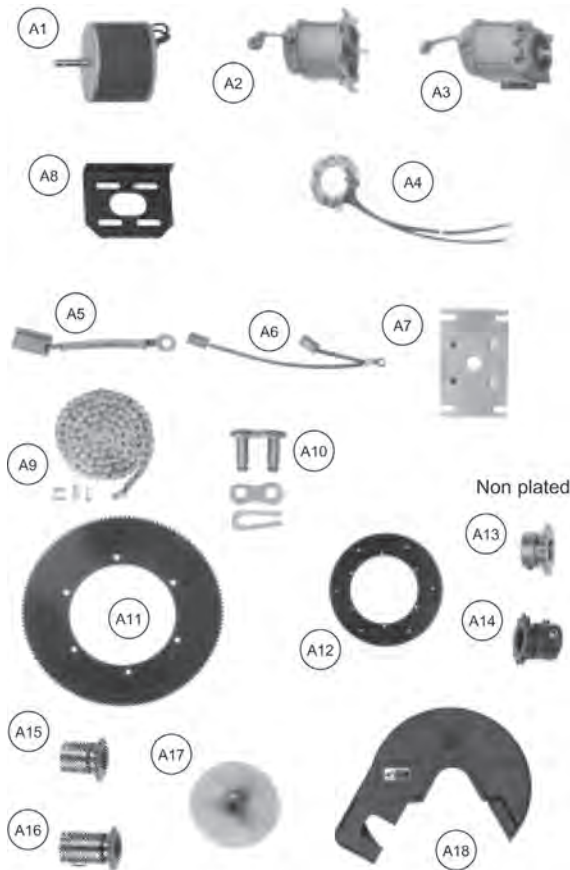
Spring rewind reels, to handle ¾" or 1" I.D. Hose. Available in two frame configurations. Standard N series has a narrow frame and compact mounting base, and channel frame for heavy-duty applications.



Hose Capacity of Reel	
¾" I.D.	1" I.D.
25' - 100'	15' - 100'

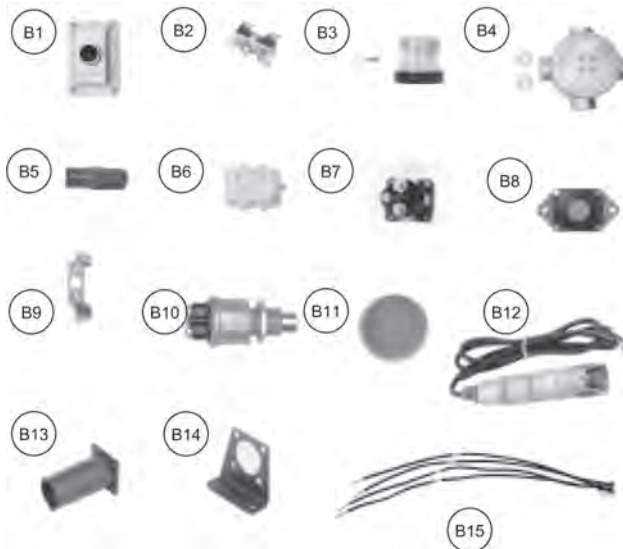
Replacement Parts for Hannay LPG Hose Reels

Motor and Sprocket Parts



Ref. no.	Part no.	Description
A1	9915.0042	12 Volt Flange Mount Non-Explosion-Proof Motor
A2	9915.0003	12 Volt Flange Mount Explosion-Proof Motor
A3	9915.0014	12 Volt Base Mount Explosion-Proof Motor
A4	9916.0013	Brush Board Assembly (w/springs and brushes) for 12 Volt 1/2 HP Motor
A5	9916.0071	Pair of Brushes for 12 Volt Non-Exp-Proof Motor (#572008)
A6	9916.0070	Two Pairs of Brushes for 12 Volt Explosion Proof Motor (#572000)
A7	9923.0008	Flange Mount Motor Plate for Non-Exp-Proof Motor
A8	9923.0006	P66A-00090 Motor Mounting Plate Right Angle for Non-Exp-Proof Motor
A9	9912.0001	10'Length #35 Chain w/Connecting Link
A10	9912.0010	Connecting Link for #35 Chain
A11	9910.1423	138T35 Disc Sprocket, 16-5/8" Diameter (E-Coated)
A12	9910.3128	146T40 Disc Sprocket, 23-1/2" Diameter (E - coated)
A13	9910.1116	11T35 Motor Sprocket, 3/4" Long
A14	9910.1117	11T35 Motor Sprocket, 1-1/16" Long
A15	9910.1118	11T35 Motor Sprocket, 1-5/16" Long
A16	9910.1119	11T35 Motor Sprocket, 1-3/4" Long
A17	9910.2219	Disc & Sprocket for Caliper Brake (#35 Chain)
Not Shown	9910.2100	Disc & Sprocket for Caliper Brake (#40 Chain)
A18	Specify	Molded Chain Guard (left or right)

Switches and Electrical

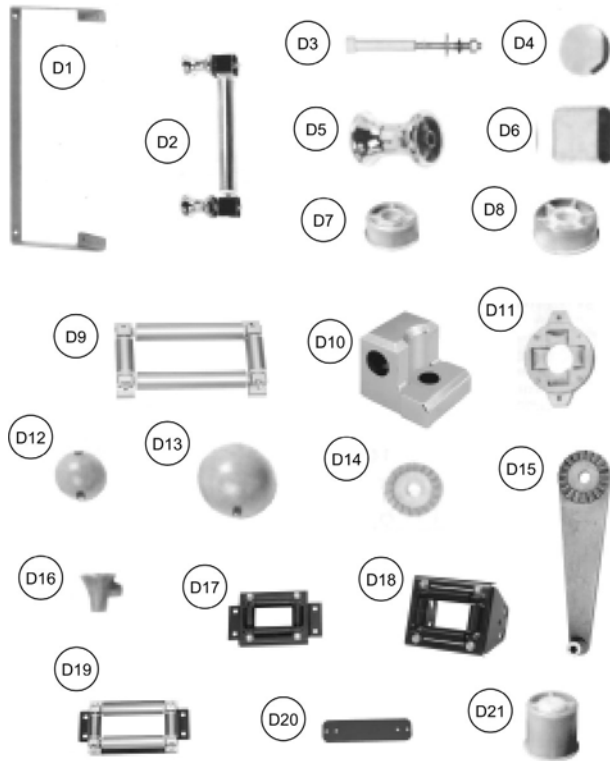


Ref. no.	Part no.	Description
B1	9917.0001	Red Dot EXPB-2A Switch (12 Volt)
B2	9917.0014	Red Dot Internal Switch
B3	9917.0150	Red Dot Repair Kit - Includes Button and Cover
B4	9917.0061	Red Dot 5-Port Round Junction Box/Cover
B5	9917.0062	#6 Wire Nut (For Red Dot Junction Box)
B6	9917.0063	Insulated "Bug" Connector
B7	9917.0025	12 Volt Solenoid (Diode-Suppressed)
B8	Specify	SDLM Circuit Breaker (Specify Amperage)
B9	9917.0024	CB-2 Mounting Bracket (for Circuit Breaker)
B10	9917.0006	Push-Button 12 Volt Switch (Less Cap)
B11	9917.0008	Rubber Cap (For Push Button Switch)
B12	9917.0200	EPS-1 Switch (Used with Guidemaster)
B13	9917.0207	EPS-2 Mounting Bracket (Used with EPS-1)
B14	9917.0208	Extension Bracket for EPS-2
B15	9916.0085	Rectifier for 115 Volt Exp-Proof Motor

Prices subject to change without notice. Some items may not be in stock at all warehouses or may be special order. Please check with TEECO.

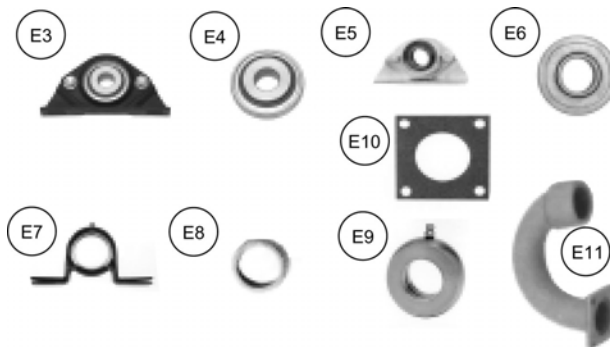
Replacement Parts for Hannay LPG Hose Reels

Roller Assemblies, Cable Guides, Hose Stops



Ref. no.	Part no.	Description
D1	Specify	Top Wind FH-3 Mtg. Brkt. (Specify Model)
D2	9939.0042	FH-3 Roller & Spool Assy. (Specify Model)
D3	9940.0012	FH-307 Delrin-Over-Steel Step Bolt
D4	9940.0004	FH-309 Chrome Snap Cap
D5	9940.0005	FH-301 Spool
D6	9940.0006	FH-302 Block
D7	9940.0007	FH-303-15 (1.5") Trunnion Bearing
D8	9940.0008	FH-303-2 (2") Trunnion Bearing
D9	9939.0062	Utility Hose Roller Assy."C" (Spec. Model)
D10	9940.0076	EH-650 Mounting Block (Plated)
D11	9939.0003	EH-714 Roller Assembly
D12	9922.0011	HS-3 Hose Stop (Specify OD of Hose)
D13	9922.0012	HS-45 Hose Stop (Specify OD of Hose)
D14	9951.0009	GR-4A Guide Arm Positioner
D15	9951.0010	GR-4 Guide Arm
D16	9951.0012	GR-5 Scoop Cable Guide
D17	Specify	"R200" Series Roller Assembly
D18	Specify	"N200" Series Roller Assembly
D19	Specify	"R300" Series Roller Assembly
D20	9941.0030	N Series Single Roller Mounting Arm only (Specify Model)
D21	9940.0016	FH-303 1½" Trunnion Bearing (New Style, No Through Hole)

Bearings

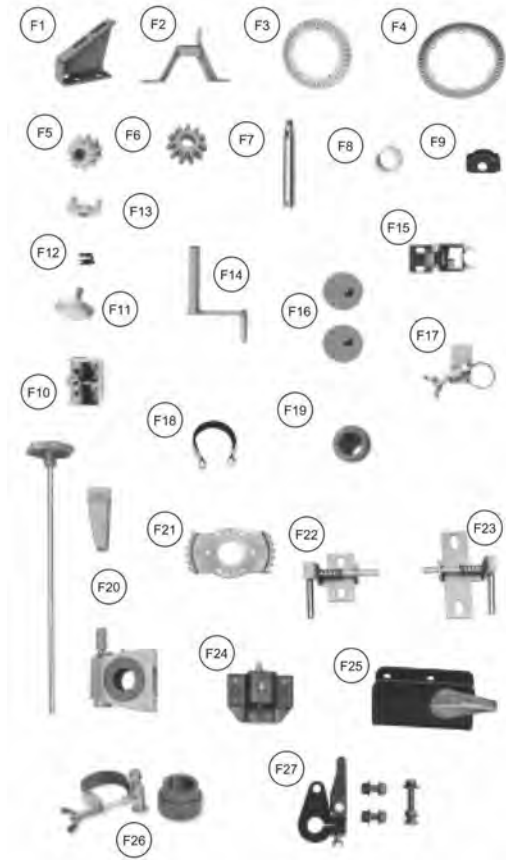


Ref. no.	Part no.	Description
E3	9902.1200	1/2"S.A. Ball Bearing Complete
E4	9902.1300	1/2"S.A. Ball Bearing Insert
E5	9902.1400	1"S.A. Ball Bearing Complete
E6	9902.1500	1"S.A. Ball Bearing Insert
E7	9902.1610	1-1/2"S.A.Bronze Bearing Complete (E-coated)
Not Shown	9902.1620	1-1/2"S.A.Bronze Bearing Complete (304 S.S.)
E8	9902.1700	1-1/2"S.A.Bronze Bearing Insert
E9	9902.1730	1"S.A.Bronze Bearing insert
E10	9965.0021	H-150G Gasket for 1-1/2" Riser
E11	9901.2840	1-1/2"Hub Assy Complete (Specify Model)

Prices subject to change without notice. Some items may not be in stock at all warehouses or may be special order. Please check with TEECO.

Replacement Parts for Hannay LPG Hose Reels

Rewind Assemblies, Brakes, Ratchets



Ref. no.	Part no.	Description
F1	Specify	30° Rewind Bracket (specify right or left)
F2	9914.0233	Vertical Rewind Bracket Only
F3	9914.0372	H-26 Ring Gear
F4	9914.0382	H-28 Ring Gear
F5	9914.0393	H-27 Pinion Gear
F7	Spec. Model	Pinion Shaft
F8	9914.0351	Pinion Shaft Collar
F9	9914.0618	Pinion Gear Guard (E-Coated)
F10	9914.0243	H-2A Pinion Shaft Bearing
F11	9914.0413	H-30A Brake Wheel
F12	9914.0451	H-31 Brake Spring
F13	9914.0433	H-3 Brake Pad
F14	9914.0011	H-18 Hand Crank
F15	9947.0020	Air Caliper Brake
Not Shown	9947.0001	Manual Caliper Brake
F16	9947.0024	Pair of Brake Pads (For Air Caliper Brake)
F17	9947.0035	Comet Brake Assembly (IV Style)
F18	9947.0036	Comet Brake Strap Only (IV STYLE)
F19	9947.0038	Comet Brake Iron Hub (IV Style)
F21	9922.0015	Ratchet Wheel (new 2 position)
F22	9965.0030	PL-1 Pinlock
F23	9965.0036	PL-4 Pinlock with Extended Mounting Ears
F24	9922.0029	Ratchet Locking Assembly (for N-Series Spring Reels)
F25	Spec. Model	Ratchet Locking Assembly (for Regular Frame Spring Reels)
F26	9947.0090	Comet Brake Assembly (Bearing Mounted Style)
Not Shown	9947.0043	Comet Brake Assembly (Bearing Mounted Style with Stub Shaft)
F27	9947.0130	Cam Lever Drag Brake Kit (including mounting hardware)
Not Shown	9922.0008	Ratchet Locking Spring

Guide Master Parts and Brackets



Ref. no.	Part no.	Description
G1	9945.0026	GM Ball Bearing (For GM-609 Roller)
G2	9945.0044	GM-108 Ball Bearing (For GM-109 Roller)
G3	9945.0019	GM-609 Roller w/GM Bearing
G5	9944.0040	GM-700 Guide Arm Body Assy w/Mtg. Yoke
G6	9945.0009	GM Mounting Yoke w/Bronze Bushing
G7	9945.0011	GM Oil-Impregnated Bronze Bushing
G8	9945.1001	GM Roller Body w/Mtg. Bolts
G10	9945.1005	GM Roller Mtg. Bolts
G11	9945.1003	Pinlock assy for GM 700
G12	9945.1004	GM Roller Bolt Mounting Plate
G15	9945.0035	GM Cross Member Assembly (3 Pieces, Specify Model)
G16	9945.0036	GM Bottom-Wind Brackets (Pair)
G17	9945.0037	GM Top-Wind Brackets (Pair)
G18	9939.0069	Assy. "B" Roller for Bottom-Wind Guidemaster Reels (specify model)

08

Prices subject to change without notice. Some items may not be in stock at all warehouses or may be special order. Please check with TEECO.

08

Rev 3/17

Order Online: www.teecoproducts.com
e-mail: info@teecoproducts.com

Sacramento, CA Auburn, WA Rapid City, SD
(800) 225-6621 (800) 426-9456 (800) 843-8660