

FC-500 Catalog

REGO[®]

Flow Controls
Catalog



Table of Contents

ARV250B.....	18	FFG2006TA.....	9	MN1000S.....	4
BC125B.....	15	FFG2008TA.....	9	N125B.....	6
BC250B.....	15	HHA250B.....	8	N250B.....	6
BC250S.....	15	KLF125B.....	12	N250S.....	6
BC375B.....	15	KLF125BBC.....	12	N375B.....	6
BC375S.....	15	KLF125SBC.....	12	N375S.....	6
BC500B.....	15	KLF250B.....	12	N500B.....	6
BC500S.....	15	KLF250BBC.....	12	N500S.....	6
BC750S.....	15	KLF250SBC.....	12	NVA125B.....	7
C250B.....	14	KLF375B.....	12	NVA250B.....	7
C250BL.....	14	KLF375BBC.....	12	NVG125B.....	8
C250S.....	14	KLF375SBC.....	12	NVG250B.....	8
C250SL.....	14	KLF500B.....	12	NVG250BSS.....	8
C250SS.....	14	KLF500BBC.....	12	PC250B.....	15
C250SSL.....	14	KLF500SBC.....	12	PC375B.....	15
C375B.....	14	KLF750B.....	12	PC500B.....	15
C375BL.....	14	KLF750BBC.....	12	PCI25B.....	15
C375S.....	14	KLF750SBC.....	12	PRV250BRXXX.....	17
C375SL.....	14	KLF1000B.....	12	PRV250BXXX.....	17
C375SS.....	14	KLN125B.....	5	PRV500BRXXX.....	17
C375SSL.....	14	KLN125S.....	5	PRV500BXXX.....	17
C500B.....	14	KLN250B.....	5	RAM 4-02.....	19
C500BL.....	14	KLN250S.....	5	RAM 4-04.....	19
C500S.....	14	KLN375B.....	5	RAM 6-04.....	19
C500SL.....	14	KLN375S.....	5	RAM 6-06.....	19
C500SSL.....	14	KLN500B.....	5	RAM 53-02.....	19
C750B.....	14	KLN500S.....	5	RAS 4-02.....	19
C750BL.....	14	KLN750B.....	5	RAS 4-04.....	19
C750S.....	14	KLN750S.....	5	RAS 6-04.....	19
C750SL.....	14	KLN1000B.....	5	RAS 6-06.....	19
C750SSL.....	14	MF125B.....	11	RAS 53-02.....	19
CMM250B.....	16	MF125BBC.....	11	TMF250B.....	2
CMM250B-L.....	16	MF250B.....	11	TMF250BL.....	2
CMM250S.....	16	MF250BBC.....	11	TMF250S.....	2
CMM375B.....	16	MF250SBC.....	11	TMF250SS.....	1
CMM375S.....	16	MF375B.....	11	TMF375B.....	2
CW250BL.....	19	MF375BBC.....	11	TMF375BL.....	2
CW250SSL.....	19	MF375SBC.....	11	TMF375S.....	2
CW375BL.....	19	MF500B.....	11	TMF375SS.....	1
CW375SSL.....	19	MF500BBC.....	11	TMF500B.....	2
F125B.....	13	MF500SBC.....	11	TMF500S.....	2
F250B.....	13	MF750B.....	11	TMF500SS.....	1
F250BBC.....	13	MF750SBC.....	11	TMF620S.....	2
F250SBC.....	13	MF1000SBC.....	11	TMF620SS.....	1
F375B.....	13	MFA125B.....	8	TMF750B.....	2
F375BBC.....	13	MFA250B.....	8	TMF750S.....	2
F375SBC.....	13	MFA250BSS.....	8	TMF750SS.....	1
F500B.....	13	MFA2002T.....	10	TMF820S.....	2
F500BBC.....	13	MFA2003T.....	10	TMF820SS.....	1
F500SBC.....	13	MFA2004T.....	10	TMF1000S.....	2
F750SBC.....	13	MFG125BF.....	8	TMF1000SS.....	1
FFA2001T.....	10	MFG250BF.....	8	TMF1020S.....	2
FFA2002SST.....	10	MFG2002T.....	9	TMF1020SS.....	1
FFA2002T.....	10	MFG2003T.....	9	TMN125B.....	3
FFA2003T.....	10	MFG2004T.....	9	TMN250B.....	3
FFA2004T.....	10	MMA250B.....	8	TMN250S.....	3
FFA2006TA.....	10	MN125B.....	4	TMN375B.....	3
FFG2001T.....	9	MN250B.....	4	TMN375S.....	3
FFG2002SST.....	9	MN250S.....	4	TMN500B.....	3
FFG2002T.....	9	MN375B.....	4	TMN500S.....	3
FFG2003SST.....	9	MN375S.....	4	TMN750S.....	3
FFG2003T.....	9	MN500B.....	4	TMN1000S.....	3
FFG2004SST.....	9	MN500S.....	4		
FFG2004T.....	9	MN750S.....	4		

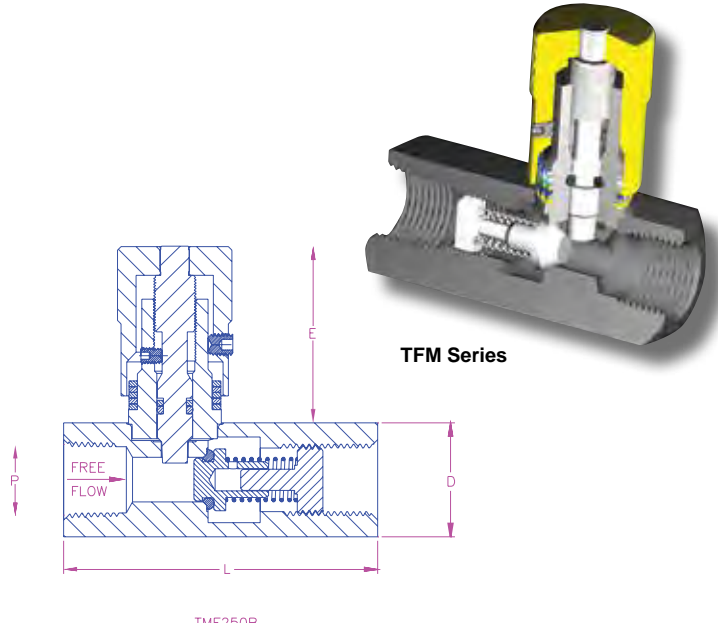
Stainless Steel Flow Controls TMF Series with Color Bands

Application

Designed for extremely precise control of hydraulic and pneumatic actuators. Provides metered flow in one direction and free-flow in the reverse direction. Specifically designed for use in food processing industries and other highly corrosive environments.

Features

- Easy-to-read color bands and micrometer knob for exact flow settings.
- Re-set repeatability within 1%.
- Precision-machined Double-Step stem with fine threading provides accurate control, even at extremely low flows.
- Rugged, all-metal construction — no plastic parts.
- Bleed holes in piston provide a cushion to soften closing impact and extend valve life.
- Brazed construction to withstand high pressure.
- 303 stainless steel body construction for maximum corrosion protection.



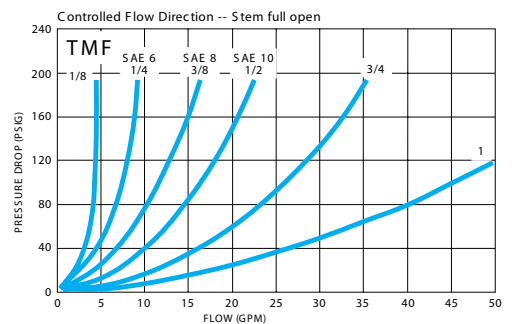
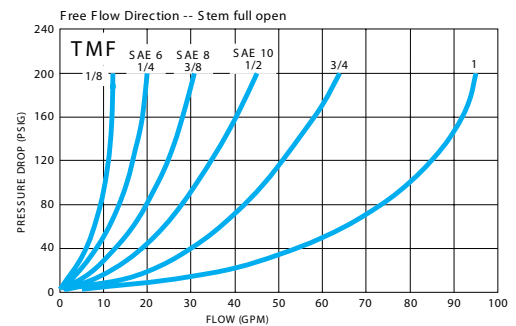
Specifications

Maximum Operating Pressure..... 5000 PSIG
 Temperature Range..... -20°F to +400°F
 Cracking Pressure (Check Valve)..... 2 PSIG
 Stem Taper..... 2° x 45° DOUBLE-STEP
 Stem Pitch..... 40 Threads/Inch
 CV Factor..... See Ordering Information

Materials

Body..... 303 Stainless Steel
 Piston..... Stainless Steel
 Piston Seal..... Metal to Metal
 Spring..... Stainless Steel
 Stem..... Stainless Steel
 Knob..... Nickel-Chrome Plated Brass
 Color Bands..... Anodized Aluminum
 Piston Retainer..... Stainless Steel
 Set Screw..... Stainless Steel
 Stem Packing..... Viton O-ring with "Teflon" Backup

Performance



Ordering Information

Part Number	Body Material	Piston Seal	P Female	D (In.) Square	L (In.)	E (In.) Max.	Orifice Diameter (In.)	CV (Free-Flow Direction)	CV (Controlled Flow Direction)
TMF250SS	Stainless Steel	Metal	1/4" NPT	13/16"	2 5/8"	1 3/8"	5/32"	1.47	.47
TMF375SS			3/8" NPT	1"	2 3/4"	1 23/32"	7/32"	2.95	.72
TMF500SS			1/2" NPT	1 1/8"	3 7/16"	2 1/4"	5/16"	4.50	1.07
TMF750SS			3/4" NPT	1 1/2"	3 7/8"	5/8"	3/8"	5.41	1.71
TMF1000SS			1" NPT	2"	5"	3 7/8"	7/32"	5.90	2.45
TMF620SS			9/16"-18 SAE 6	13/16"	3 1/8"	1 1/8"	5/32"	1.47	.47
TMF820SS			3/4" - 16 SAE 8	1"	3 1/2"	1 23/32"	7/32"	2.95	.72
TMF1020SS			7/14" - 14 SAE 10	1 1/8"	4"	2 1/4"	5/16"	4.50	1.07

Flow Controls

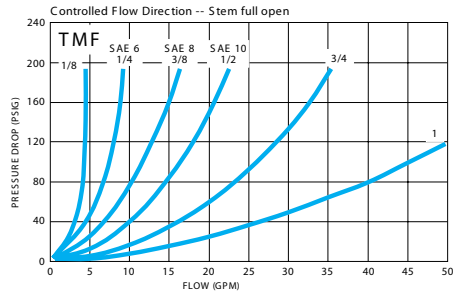
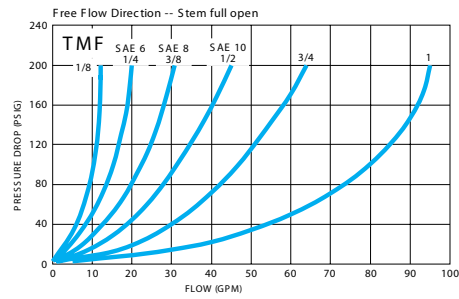
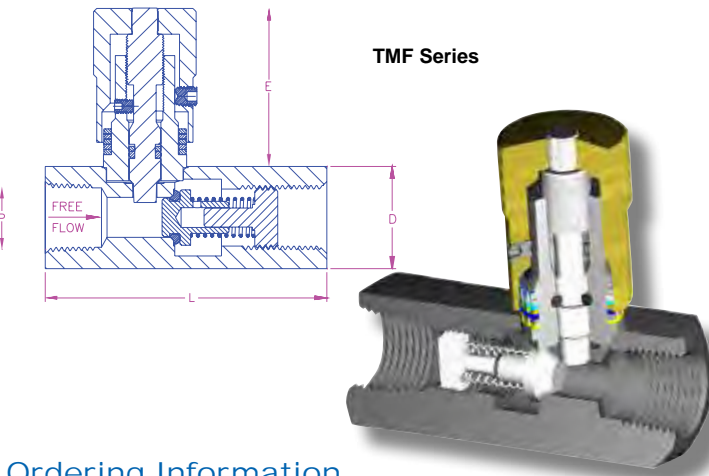
TRU Micro TMF Series with Color Bands

Application

Designed for extremely precise control of hydraulic and pneumatic actuators. Provides metered flow in one direction and free-flow in the reverse direction.

Features

- Easy-to-read color bands and micrometer knob for exact flow settings.
- Re-set repeatability within 1%.
- Precision-machined Double-Step stem with fine threading provides accurate control, even at extremely low flows.
- Rugged, all-metal construction — no plastic parts.
- Bleed holes in piston provide a cushion to soften closing impact and extend valve life.
- Brazed construction to withstand high pressure.
- Soft-seat piston check, available on 1/4" and 1/8" brass sizes, assures leak-free air service. All others have metal to metal seat.
- Steel valves are zinc-plated AND sealed with colorless chromate for double corrosion protection. Also available with stainless steel body



Specifications

- Maximum Operating Pressure Steel..... 5000 PSIG
- Maximum Operating Pressure Brass..... 2000 PSIG
- Temperature Range..... -20°F to +400°F
- Cracking Pressure (Check Valve)..... 2 PSIG
- Stem Taper 2° x 45° DOUBLE-STEP
- Stem Pitch 40 Threads/Inch
- CV Factor See Ordering Information

Materials

- Body 12L14 Steel or ASTM B 16 Brass
- Piston..... Stainless Steel
- Piston Seal ... Viton on 1/4" and 3/8" Brass Models with soft seat option (Metal to Metal seal on all others)
- Spring Stainless Steel
- Stem Stainless Steel
- Knob Brass
- Color Bands..... Anodized Aluminum
- Piston Retainer..... Stainless Steel
- Set Screw Steel (Black Oxide)
- Stem Packing Viton O-ring with "Teflon" Backup

Ordering Information

Part Number	Body Material	Piston Seal	P Female	D (In.) Square	L (In.)	E (In.) Max.	Orifice Diameter (In.)	CV (Free-Flow Direction)	CV (Controlled Flow Direction)
TMF250B	Brass	Metal	1/8 NPT	13/16"	2 5/8"	1 3/8"	5/32"	1.47	.47
TMF250BL		Viton	1/4 NPT						
TMF375B		Metal	3/8 NPT	1"	2 3/4"	1 23/32"	7/32"		
TMF375BL		Viton							
TMF500B	Metal	Metal	1/2 NPT	1 1/8"	3 7/16"	2 1/4"	5/16"	4.50	1.07
TMF750B			3/4 NPT	1 1/2"	3 7/8"	2 15/32"	3/8"	5.41	1.71
TMF250S	Steel	Metal	1/4 NPT	13/16"	2 5/8"	1 3/8"	5/32"	1.47	.47
TMF375S			3/8 NPT	1"	2 3/4"	1 23/32"	7/32"	2.95	.72
TMF500S			1/2 NPT	1 1/8"	3 7/16"	2 1/4"	5/16"	4.50	1.07
TMF620S			9/16 - 18 SAE 6	13/16"	3 7/8"	1 3/8"	5/32"	1.47	.47
TMF750S			3/4 NPT	1 1/2"	3 7/8"	2 15/32"	3/8"	5.41	1.71
TMF820S			3/4 - 18 SAE 6	1"	3 1/2"	1 23/32"	7/32"	2.95	.72
TMF1000S			1 NPT	2"	5"	3 7/8"	5/8"	5.90	2.45
TMF1020S			7/8 - 14 SAE 10	1 1/8"	4"	2 1/4"	5/16"	4.50	1.07

Needle Valves

TRU Micro TMN Series with Color Bands

Application

Designed for extremely precise control of air and hydraulic fluids.
Metered flow in both directions.

Features

- Easy-to-read color bands and micrometer knob provide exact flow settings.
- Re-Set Repeatability within 1%.
- Precision machined DOUBLE-STEP stem with fine threading provides accurate control, even at extremely low flows.
- Rugged, all-metal construction – no plastic parts.
- Brazed construction to withstand high pressure.
- Steel valves are zinc-plated AND sealed with colorless chromate for double corrosion protection.



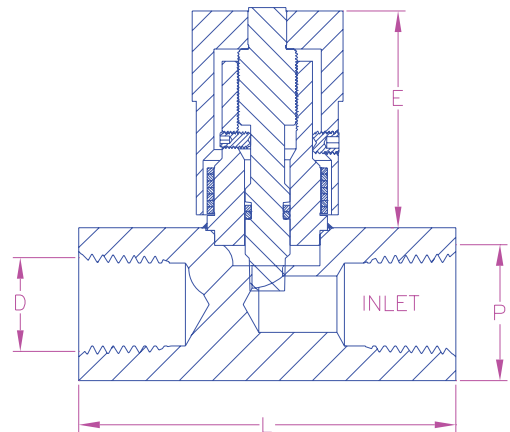
TMN Series

Specifications

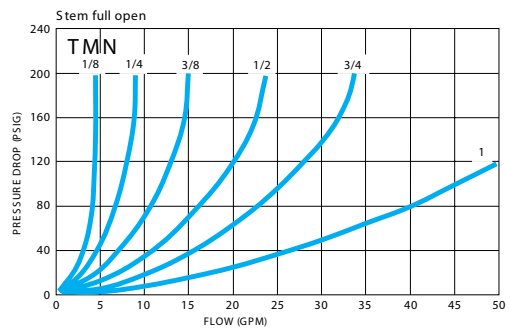
Maximum Operating Pressure (Steel) 5000 PSIG
 Maximum Operating Pressure (Brass) 2000 PSIG
 Temperature Range -20°F to +400°F
 Stem Taper 2° x 45° DOUBLE-STEP
 Stem Pitch 40 Threads/Inch
 CV Factor See Ordering Information

Materials

Body 12L14 Steel or ASTM B 16 Brass
 Stem Stainless Steel
 Knob Brass
 Color Bands Anodized Aluminum
 Set Screw Steel
 Stem Packing Viton O-ring with "Teflon" Backup



Performance



Ordering Information

Part Number	Body Material	P (NPT) Female	D (In.) Square	L (In.)	E (In.) Max.	Orifice Diameter (In.)	CV
TMN125B	Brass	1/8"	5/8"	1 1/2"	17/32"	1/8"	.25
TMN250B		1/4"	13/16"	2"	1 3/8"	5/32"	.47
TMN375B		3/8"	1"	2 1/2"	1 23/32"	7/32"	.72
TMN500B		1/2"	1 1/8"	2 5/8"	2 1/2"	5/16"	1.07
TMN250S	Steel	1/4"	13/16"	2"	1 3/8"	5/32"	.47
TMN375S		3/8"	1"	2 1/2"	1 23/32"	7/32"	.72
TMN500S		1/2"	1 1/8"	2 5/8"	2 1/4"	5/16"	1.07
TMN750S		3/4"	1 1/2"	3 1/4"	2 15/32"	3/8"	1.71
TMN1000S		1"	2"	4 1/4"	3 3/8"	5/8"	2.45

Needle Valves MN Series

Application

The best value for precise control of air and hydraulic fluids where a calibrated knob is required.

Features

- Precision-machined long tapered stem with fine threading provides exact control.
- Calibrated knob provides setting reference and does not drift from setting.
- Durability provided by rugged, all metal construction with no plastic parts.
- Steel valves are zinc-plated and sealed with "golden" chromate for double corrosion protection.



Specifications

Maximum Operating Pressure..... 5000 PSIG Steel 2000 PSIG Brass
 Temperature Range..... -20°F to +212°F
 Stem Taper..... 8°
 Stem Pitch..... 40 Threads/Inch
 Cv Factor..... See Ordering Information

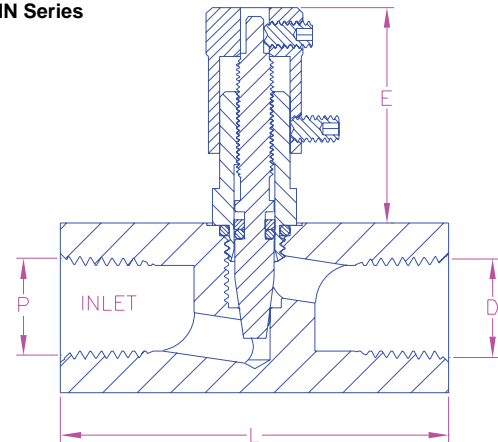
Materials

Body..... 12L14 Steel or ASTM B 16 Brass
 Stem..... Stainless Steel or Brass
 Knob..... Brass
 Chamber..... Steel
 Set Screw..... Steel
 Stem Packing..... Viton with "Teflon" Backup

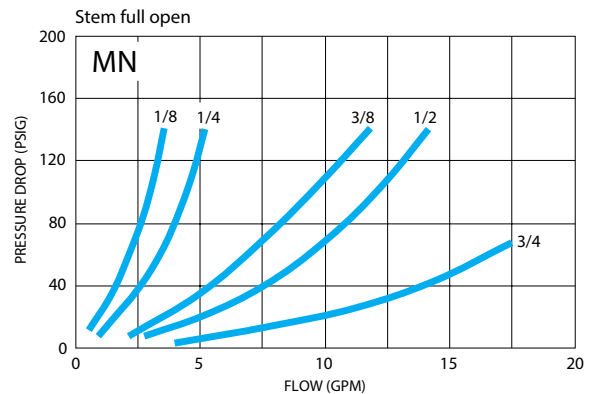
Ordering Information

Part Number	Body Material	P (NPT) Female	D (In.) Hex	L (In.)	E (In.) Max.	Orifice Diameter (In.)	CV
MN125B	Brass	1/8"	1 1/16"	1 1/2"	1 1/4"	.156	.25
MN250B		1/4"	7/8"	2"			
MN375B		3/8"	1 1/16"	2 1/4"	1 3/8"	.265	.93
MN500B		1/2"	1 5/16"	2 21/32"			
MN250S	Steel	1/4"	7/8"	2"	1 1/4"	.156	.39
MN375S		3/8"	1 1/16"	2 1/4"			
MN500S		1/2"	1 5/16"	2 21/32"	1 3/8"	.281	1.12
MN750S		3/4"	1 5/8"	3"			
MN1000S		1"	1 7/8"	3"	2 1/8"	.343	2.00

MN Series



Performance



Needle Valves KLN Series

Application

Designed for the precise control of air and hydraulic fluids.

Features

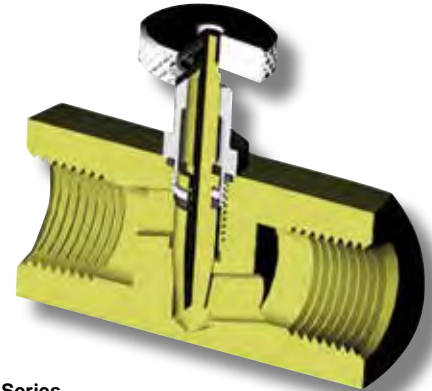
- Precision-machined long tapered stem with fine threading provides exact control.
- Lock nut provided to secure flow settings.
- Durability provided by rugged, all metal construction with no plastic parts.
- Steel valves are zinc plated and sealed with "golden" chromate for double corrosion protection.

Specifications

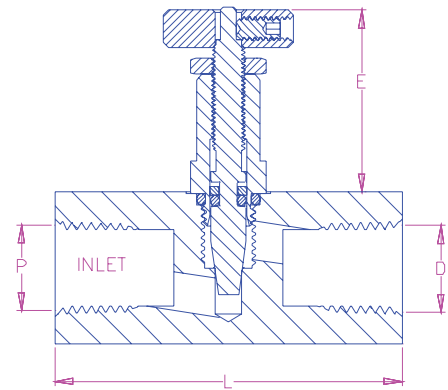
Maximum Operating Pressure... 5000 PSIG Steel, 2000 PSIG Brass
 Temperature Range.....-20°F to +212°F
 Stem Taper8°
 Stem Pitch 40 Threads/Inch (1/8", 1/4", 3/8", 1/2" Sizes)
 24 Threads/Inch (3/4", 1" Sizes)
 CV FactorSee Ordering Information

Materials

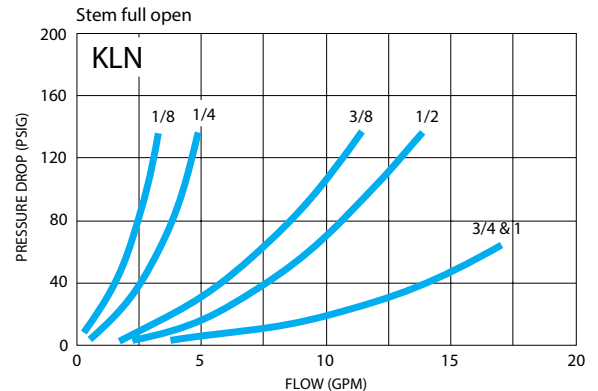
Body 12L14 Steel, ASTM B 16 Brass, or 303 Stainless Steel
 StemStainless Steel or Brass
 Knob Aluminum (1/8", 1/4", 3/8", 1/2" Sizes), Brass (3/4", 1" Sizes)
 Chamber..... Steel (zinc plated)
 Lock NutBrass
 Stem Packing Viton O-ring with "Teflon" Backup



KLN Series



Performance



Ordering Information

Part Number	Body Material	P (NPT) Female	D (In.) Hex	L (In.)	E (In.) Max.	Orifice Diameter (In.)	CV
KLN125B	Brass	1/8"	11/16"	1 1/2"	1 1/4"	.156	.25
KLN250B		1/4"	7/8"	2"			.39
KLN375B		3/8"	1/16"	2 1/4"	1 3/8"	.256	.93
KLN500B		1/2"	1 5/16"	2 21/32"			1.12
KLN750B		3/4"	1 5/8"	3"	1 7/8"	.343	2.00
KLN1000B		1"	1 7/8"				
KLN125S	Steel	1/8"	11/16"	1 1/2"	1 1/4"	.156	.25
KLN250S		1/4"	7/8"	2"			.39
KLN375S		3/8"	1/16"	2 1/4"	1 3/5"	.256	.93
KLN500S		1/2"	1 5/16"	2 21/32"			1.12
KLN750S		3/4"	1 5/8"	3"	1 7/8"	.343	2.00
KLN1000S		1"	1 7/8"				

Needle Valves N Series

Application

Economically designed for effective control of air and hydraulic fluids where frequent adjustment is not required.

Features

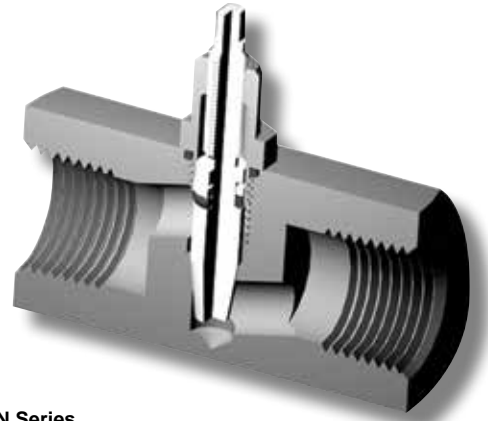
- Wrench flats provided to adjust setting, while resisting unwanted tampering.
- Steel valves are zinc plated and sealed with “golden” chromate for double corrosion protection.
- Durable, rugged, all metal construction — no plastic parts.

Specifications

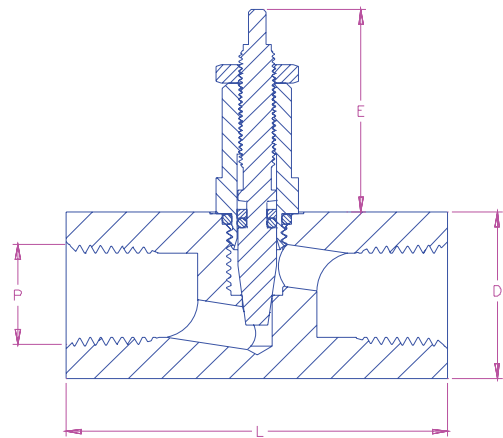
Maximum Operating Pressure..... 5000 PSIG Steel
 Maximum Operating Pressure..... 2000 PSIG Brass
 Temperature Range..... -20°F to +212°F
 CV Factor See Ordering Information
 Stem Taper 8°
 Stem Pitch 40 Threads/Inch

Materials

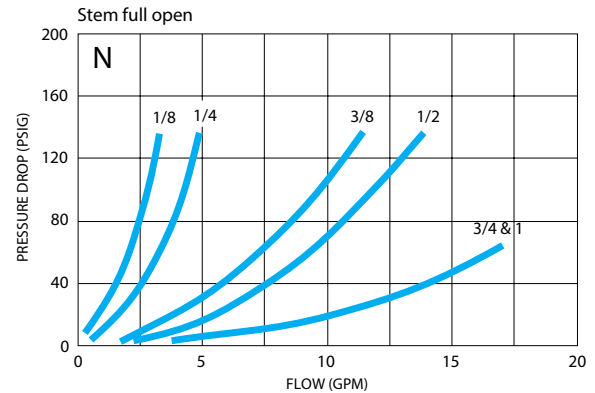
Body 12L14 Steel or ASTM B 16 Brass
 Stem Stainless Steel or Brass
 Chamber..... Steel (Zinc Plated)
 Lock Nut Brass
 Stem Packing Viton O-Ring



N Series



Performance



Ordering Information

Part Number	Body Material	P (NPT) Female	D (In.) Hex	L (In.)	E (In.) Max.	Orifice Diameter (In.)	CV
N125B	Brass	1/8"	11/16"	1 1/2"	1 1/4"	.156	.25
N250B		1/4"	7/8"	2"			.39
N375B		3/8"	1 11/16"	2 1/4"	1 3/8"	.265	.93
N500B		1/2"	1 5/16"	2 21/32"			1.12
N250S	Steel	1/4"	7/8"	2"	1 1/4"	.156	.39
N375S		3/8"	1 1/16"	2 1/4"			.93
N500S		1/2"	1 5/16"	2 21/32"	1 3/8"	.281	1.12

Needle Valves Mini-Line Series

Application

Ideal for test bench and control panel applications. Designed for use with air, oil, water, vacuum service, and most chemicals.

Features

- Compact design provides easy installation.
- Fine stem threading and long taper allow precise metering and leak-free shut-off.
- Internal stop prevents the stem from being accidentally unscrewed from the body.
- Rugged forged brass bodies withstand higher pressures.
- Available in globe and angle configurations.
- Valves come equipped for panel mounting.
- Some models available with stainless steel stem (ss suffix denotation).

Specifications

Maximum Operating Pressure..... 5000 PSIG Hydraulic
 Maximum Operating Pressure..... 2000 PSIG Air
 Minimum Burst Pressure 8000 PSIG
 Temperature Range..... -40°F to +500°F
 Orifice Diameter..... .182"
 Stem Taper 15°
 Stem Pitch 28 Threads/Inch
 CV Factor See Ordering Information

Materials

Body ASTM B283 Brass
 Stem Brass
 Knob Brass
 Bonnet Nut..... Brass
 Panel Mount Nut..... Brass
 Set Screw Steel
 Stem Packing Teflon with Brass Gland

Ordering Information

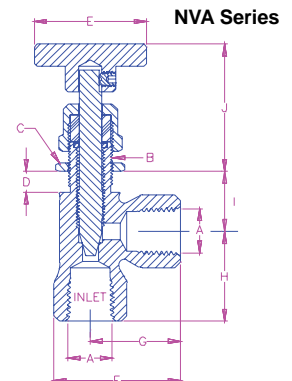
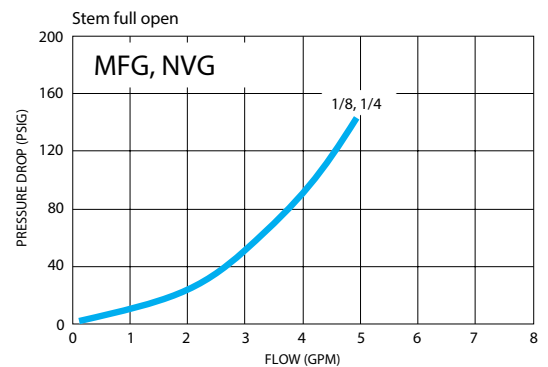
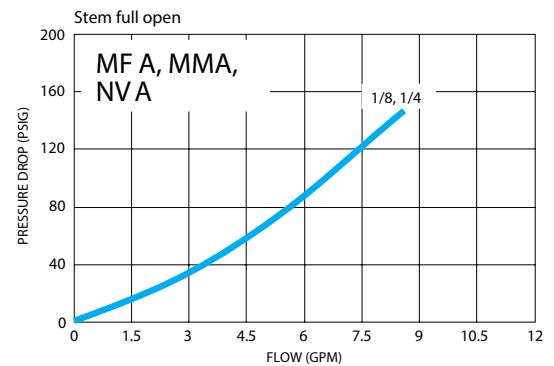
NVA Series

Part Number	A (NPT)	B (UNS-2B) Thd. Size	C (In.) Hex Size	D (In.) Max.	E (In.)	F (In.)	G (In.)	H (In.)	I (In.)	J (In.) Open	J (In.) Closed	CV
NVA125B	1/8"	1/2" - 27"	1 1/16"	3/32"	1 1/4"	15/32"	3/4"	3/4"	7/16"	1 31/32"	1 11/16"	.7
NVA250B	1/4"			7/32"		1 13/32"	1"	1"		2 5/32"	1 19/32"	



Needle Valve

Performance



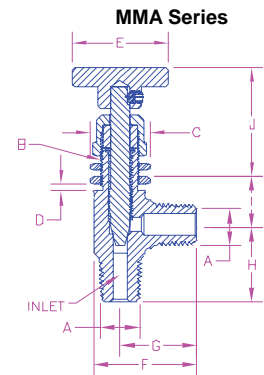
Needle Valves Mini-Line Series

Ordering Information

MMA Series

Part Number	A (NPT)	B (UNS-2B) Thd. Size	C (In.) Hex Size	D (In.) Max.	E (In.)	F (In.)	G (In.)	H (In.)	I (In.)	J (In.) Open	J (In.) Closed	CV
MMA250B	1/4"	1/2" - 27"	11/16"	7/32"	1 1/4"	1 11/32"	1"	1"	7/16"	2 5/32"	1 19/32"	.7
HHA250B	1/4"											

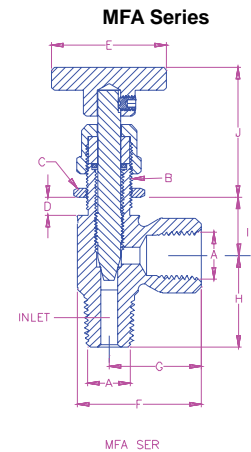
* 1/4" Hose Barbs



Ordering Information

MFA Series

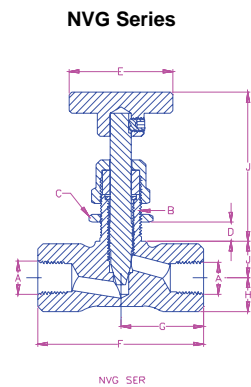
Part Number	A (NPT)	B (UNS-2B) Thd. Size	C (In.) Hex Size	D (In.) Max.	E (In.)	F (In.)	G (In.)	H (In.)	I (In.)	J (In.) Open	J (In.) Closed	CV
MFA125B	1/8"	1/2" - 27"	11/16"	7/32"	1 1/4"	1 11/32"	1"	1"	7/16"	2 5/32"	1 19/32"	.7
MFA250B	1/4"											
MFA250BSS	1/4"											



Ordering Information

NVG Series

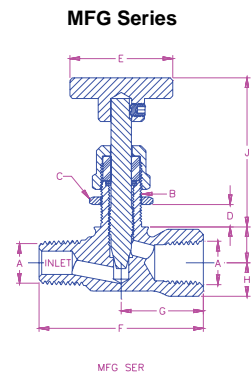
Part Number	A (NPT)	B (UNS-2B) Thd. Size	C (In.) Hex Size	D (In.) Max.	E (In.)	F (In.)	G (In.)	H (In.)	I (In.)	J (In.) Open	J (In.) Closed	CV
NVG125B	1/8"	1/2" - 27"	11/16"	7/32"	1 1/4"	2"	1"	1 3/32"	7/16"	2 5/32"	1 25/32"	.5
NVG250B	1/4"											
NVG250BSS	1/4"											



Ordering Information

MFG Series

Part Number	A (NPT)	B (UNS-2B) Thd. Size	C (In.) Hex Size	D (In.) Max.	E (In.)	F (In.)	G (In.)	H (In.)	I (In.)	J (In.) Open	J (In.) Closed	CV
MFG125BF	1/8"	1/2" - 27"	11/16"	7/32"	1 1/4"	2"	1"	1 3/32"	7/16"	2 5/32"	1 25/32"	.5
MFG250BF	1/4"											



Needle Valves 2000 Series

Application

Ideal for applications which require fine metering and shut-off. Designed for use with air, oil, water, steam, liquid fuels and most chemicals.

Features

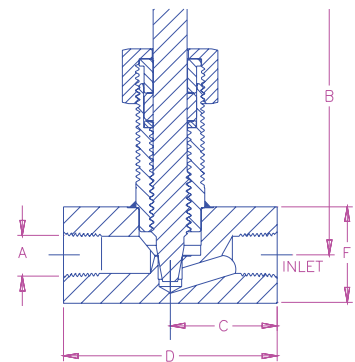
- Heavy duty brazed construction for added strength and safety up to 10,000 psi.
- Precision-machined stems and valve bodies provide perfect seat alignment for leak-free shut-off.
- Carbon steel valves are zinc plated and sealed with colorless chromate for double corrosion protection.
- Available in globe and angle configuration; in-line or panel mounted.
- Machined from carbon steel, or 303 stainless steel.



Ordering Information

Part Number	Body Material	A (NPT) Female	B (In.) Max.	C (In.)	D (In.)	E (In.)	F (In.) Square	G (In.)	H (In.) Diam.	Orifice Diam. (In.)	CV
FFG2001T	Carbon Steel	1/8	3 1/2"	3 1/32"	1 15/16"	2 1/2"	7/8"	3/8"	5/8"	7/32"	.66
FFG2002T		1/4		1 31/32"	2 1/16"		7/8"		5/8"		
FFG2003T		3/8	3 5/8"	1 7/16"	2 3/4"		1 1/8"	3/4"	9/16"	.70	
FFG2004T		1/2									
FFG2006TA		3/4	5 3/16"	1 13/16"	3 5/8"	4 1/4"	1 1/2"	7/8"	1 1/2"	3.90	
FFG2008TA	1	5 5/16"	2 1/32"	4 1/16"	2"	2"	7/8"	1 1/2"	5.22		
FFG2002SST	303	1/4	3 1/2"	1 1/32"	2 1/16"	2 1/2"	7/8"	3/4"	5/8"	7/32"	.66
FFG2003SST	Stainless Steel	3/8	3 5/8"	1 7/16"	2 3/4"		7/8"		3/4"		
FFG2004SST		1/2					1 1/8"	3/4"	7/32"	.70	

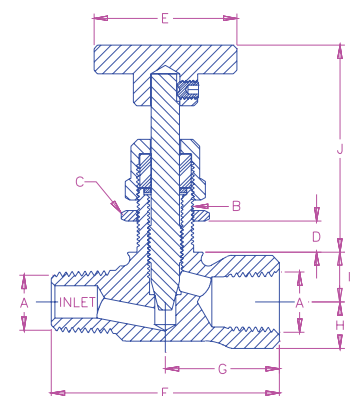
FFG Series



Ordering Information

Part Number	Body Material	A (NPT) Female	B (In.) Max.	C (In.)	D (In.)	E (In.)	F (In.) Square	G (In.)	H (In.) Diam.	Orifice Diam. (In.)	CV
MFG2002T	Carbon Steel	1/4	3 1/2"	1 1/32"	2 11/32"	2 1/2"	7/8"	3/8"	5/8"	.218	.92
MFG2003T		3/8	3 5/8"	1 3/8"	2 3/4"		1 1/8"		3/4"		
MFG2004T		1/2						2 5/8"			

MFG Series



Specifications

Maximum Operating Pressure..... 10,000 PSIG Hydraulic
 Maximum Operating Pressure..... 2000 PSIG Air
 Minimum Burst Pressure 20,000 PSIG
 Temperature Range..... -40°F to +500°F
 Stem Taper 10 1/2° (1/8, 1/4, 3/8, 1/2" Sizes)
 Stem Taper 15° (3/4, 1" Sizes)
 Stem Pitch 16 Threads/Inch (1/8, 1/4, 3/8, 1/2" Sizes)
 Stem Pitch 14 Threads/Inch (3/4, 1" Sizes)
 CV Factor See Ordering Information

Materials

	T and TA Models	SST and STA Models
Body	12L14 Carbon Steel.....	303 Stainless
Stem	303 Stainless	303 Stainless
Bonnet Nut.....	Carbon Steel.....	303 Stainless
Handle	Aluminum.....	Aluminum
Stem Packing	Teflon	Teflon

Panel Mounting Kits:

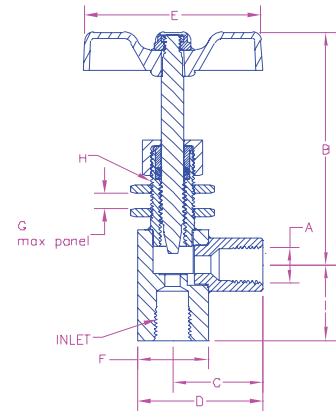
1/8 to 1/4.....	KIT2002S
3/8 to 1/2.....	KIT2004S
3/4 to 1.....	KIT2005S

Needle Valves 2000 Series

Ordering Information

Part Number	Body Material	A (NPT) Female	B (In.) Max.	C (In.)	D (In.)	E (In.)	F (In.) sq.	G (In.)	H (In.) Diam.	I (In.)	Orifice Diam. (In.)	CV
FFA2001T	Carbon Steel	1/8	3 1/2"	1"	1 1/2"	2 1/2"	1"	3/8"	5/8"	1 1/16"	7/32"	.92
FFA2002T		1/4		1 9/32"	2 25/32"		1"		5/8"	1 1/16"		
FFA2003T		3/8	3 5/8"	1 17/32"	2 5/32"		1 1/4"	3/4"	1 19/32"			
FFA2004T		1/2		1 27/32"	2 23/32"		4 1/4"	1 3/4"	7/8"	1 1/2"	1 15/16"	9/16"
FFA2006TA	303	3/4	5 3/16"	1 27/32"	2 23/32"	4 1/4"	1 3/4"	7/8"	1 1/2"	1 15/16"	9/16"	4.43
FFA2002SST	Stainless Steel	1/4	3 1/2"	2 9/32"	1 25/32"	2 1/2"	1"	3/8"	5/8"	1 1/16"	7/32"	.92

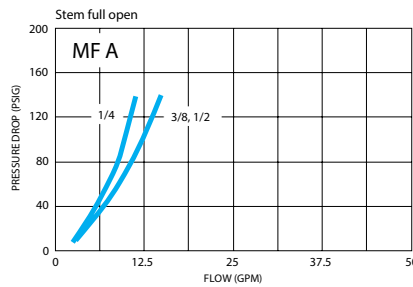
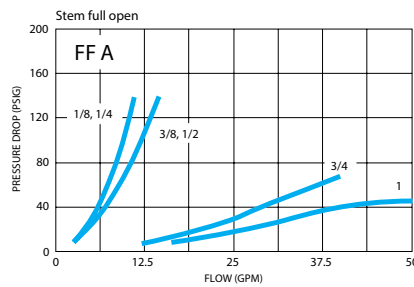
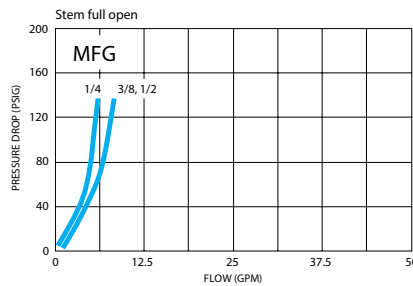
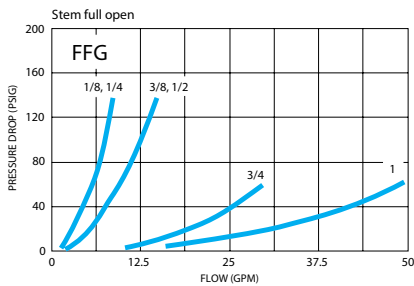
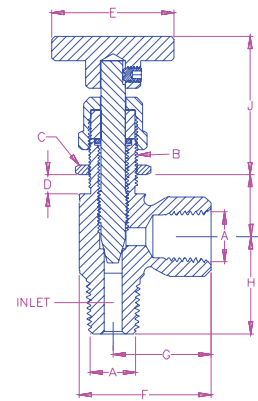
FFA Series



Ordering Information

Part Number	Body Material	A (NPT) Female	B (In.) Max.	C (In.)	D (In.)	E (In.)	F (In.) Square	G (In.)	H (In.) Diam.	I (In.)	Orifice Diam. (In.)	CV
MFA2002T	Carbon Steel	1/4	3 1/2"	1 9/32"	1 25/32"	2 1/2"	1"	3/8"	5/8"	1 1/16"	7/32"	.92
MFA2003T		3/8		1 17/32"	2 5/8"		1 1/4"		3/4"	1 3/4"		
MFA2004T		1/2	3 5/8"	1 17/32"	2 5/8"		1 1/4"	3/4"	1 3/4"			

MFA Series



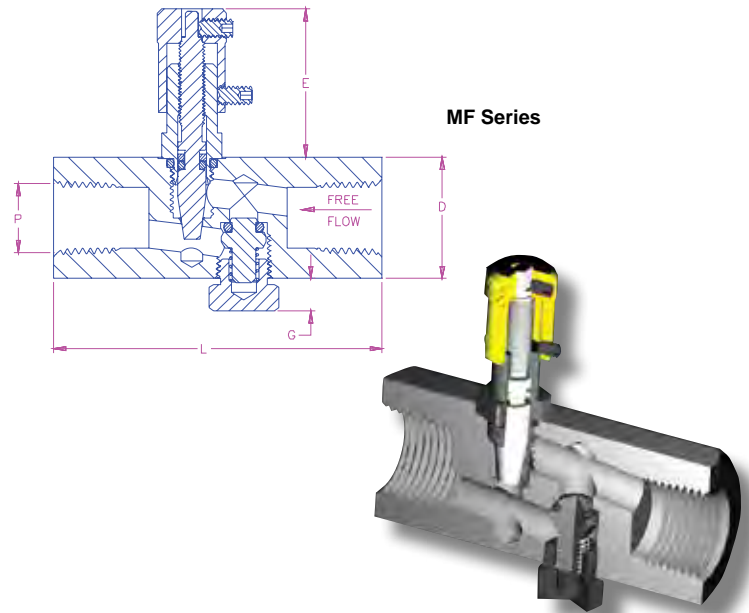
Flow Controls MF Series

Application

The best valve for precise control of hydraulic and pneumatic actuators where a calibrated knob is required. Provides metered flow in one direction and free-flow in the reverse direction.

Features

- Precision-machined long tapered stem with fine threading provides exact control.
- Calibrated knob provides setting reference.
- Soft-seat piston check for leak-free service.
- No “draft” setting.
- Optional ball check for high cycle applications.
- Rugged, all-metal construction — no plastic parts.
- Steel valves are zinc-plated and sealed with “golden” chromate for double corrosion protection.



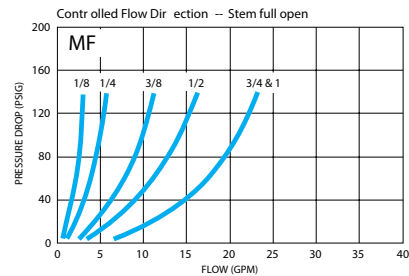
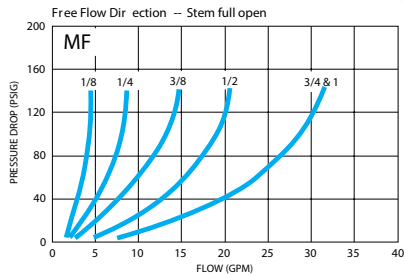
Specifications

Max Operating Pressure Ball Check Models..... 5000 PSIG Steel
 Max Operating Pressure Ball Check Models..... 2000 PSIG Brass
 Max Operating Pressure Piston Check Models..... 2000 PSIG Brass
 Temperature -20°F to +212°F
 Stem Taper 8°
 Stem Pitch 40 Threads/Inch (1/8, 1/4, 3/8, 1/2" Sizes)
 Stem Pitch 24 Threads/Inch (3/4", 1" Size)
 CV Factor See Ordering Information

Materials

Body 12L14 Steel or ASTM B 16 Brass
 Piston Assembly Stainless Steel with Viton O-ring
 Spring Stainless Steel
 Stem Stainless Steel or Brass
 Knob Brass
 Check Plug Steel or Brass
 Chamber Steel
 Set Screw Steel
 Stem Packing Viton O-ring with “Teflon” Backup

Ordering Information



Part Number	Body Material	Check Style	P (NPT) Female	D (In.) Hex	G (In.)	L (In.)	E (In.) Max.	Orifice Diameter (In.)	CV Free-Flow Direction	CV (Controlled Flow Direction)	Cracking Pressure (PSIG)					
MF125B	Brass	Piston	1/8"	11/16"	9/32"	1 3/4"	1 1/4"	.156"	.32	.23	10					
MF250B			1/4"	7/8"	5/16"	2 3/8"										
MF375B			3/8"	1 1/16"	11/32"	2 3/4"	1 3/8"	.256"	1.14	.90	8					
MF500B			1/2"	1 5/16"	3/8"	3 3/16"										
MF750B			3/4"	1 5/8"	15/32"	3 9/16"						1 7/8"	.343"	2.91	2.02	2
MF125BBC	Brass	Ball	1/8"	11/16"	9/32"	1 3/4"	1 1/4"	.156"	.32	.23	11					
MF250BBC			1/4"	7/8"	5/16"	2 3/8"										
MF375BBC			3/8"	1 1/16"	11/32"	2 3/4"	1 3/8"	.256"	1.14	.90	3					
MF500BBC			1/2"	1 5/16"	3/8"	3 3/16"										
MF250SBC			1/4"	7/8"	5/16"	2 3/8"						1 1/4"	.156"	.70	.44	7
MF375SBC	3/8"	1 1/16"	11/32"	2 3/4"												
MF500SBC	Steel	Brass	1/2"	1 5/16"	3/8"	3 3/16"	1 3/8"	.281"	1.74	1.32	1					
MF750SBC			3/4"	1 5/8"	15/32"	3 9/16"						1 7/8"	.343	2.91	2.02	3
MF1000SBC			1"	7/8"												

Flow Controls KLF Series

Application

Designed for the precise control of hydraulic and pneumatic actuators. Provides metered flow in one direction and free-flow in the reverse direction.

Features

- Precision-machined long tapered stem with fine threading provides exact control.
- Lock nut included to secure flow setting.
- Soft-seat piston check for leak-free service.
- Ball check option available for high cycle applications.
- Rugged, all-metal construction — no plastic parts.
- Steel valves are zinc-plated and sealed with “golden” chromate for double corrosion protection.

Specifications

Max Operating Pressure Ball Check Models..... 5000 PSIG Steel
 Max Operating Pressure Ball Check Models..... 2000 PSIG Brass
 Max Operating Pressure Piston Check Models..... 2000 PSIG Brass
 Temperature Range..... -20°F to +212°F
 CV FactorSee Ordering Information
 Stem Taper8°
 Stem Pitch 40 Threads/Inch (1/8, 1/4, 3/8, 1/2" Sizes)
 Stem Pitch 24 Threads/Inch (3/4, 1" Size)

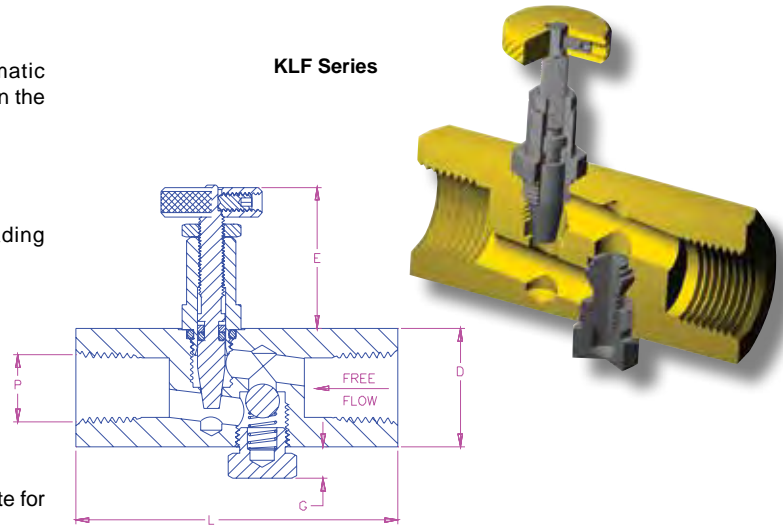
Materials

Body 12L14 Steel, ASTM B 16 Brass, or 303 Stainless Steel
 Piston Assembly Stainless Steel with Viton O-ring
 Ball Stainless Steel
 Spring Stainless Steel
 Stem Stainless Steel or Brass
 Knob Aluminum (1/8, 1/4, 3/8, 1/2" Sizes) Brass (3/4, 1" Sizes)
 Check Plug Steel or Brass
 Chamber Steel
 Set Screw Steel (Black Oxide)
 Stem Packing Viton O-ring with “Teflon” Backup
 Lock Nut Brass

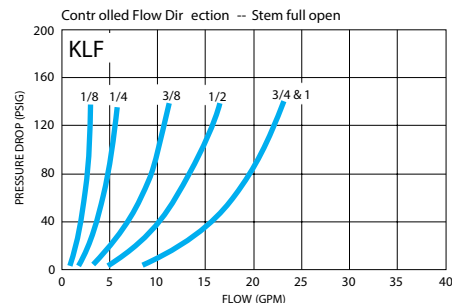
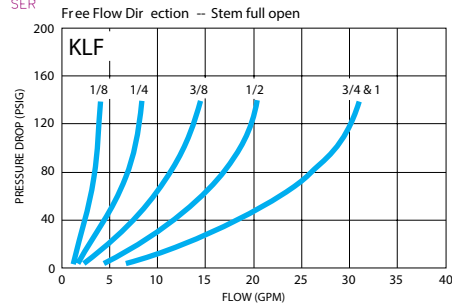
Ordering Information

Part Number	Body Material	Check Style	P (NPT) Female	D (In.) Hex	G (In.)	L (In.)	E (In.) Max.	Orifice Diameter (In.)	CV Free-Flow Direction	CV (Controlled Flow Direction)	Cracking Pressure (PSIG)					
KLF125B	Brass	Piston	1/8"	11/16"	9/32"	1 3/4"	1 1/4"	.156	.32	.23	10					
KLF250B			1/4"	7/8"	5/16"	2 3/8"						1 3/8"	.265	1.14	.90	8
KLF375B			3/8"	1 1/16"	11/32"	2 3/4"	.281	1.74	1.32	5						
KLF500B			1/2"	1 5/16"	3/8"	3 3/16"					.343					
KLF750B			3/4"	1 5/8"	15/32"	3 9/16"	.156	.32	.23	11						
KLF1000B			1"	1 7/8"	15/32"	3 9/16"					.156	.70	.44	7		
KLF125BBC	1/8"	11/16"	9/32"	1 3/4"	.265	1.14									.90	3
KLF250BBC	1/4"	7/8"	5/16"	2 3/8"												
KLF375BBC	3/8"	1 1/16"	11/32"	2 3/4"	.343	2.91									2.02	3
KLF500BBC	1/2"	1 5/16"	3/8"	3 3/16"												
KLF750BBC	3/4"	1 5/8"	15/32"	3 9/16"	.156	.70	.44	7								
KLF125SBC	1/8"	11/16"	9/32"	1 3/4"					.265	1.14	.90	3				
KLF250SBC	1/4"	7/8"	5/16"	2 3/8"									.281	1.74	1.32	1
KLF375SBC	3/8"	1 1/16"	11/32"	2 3/4"					.343	2.91	2.02	3				
KLF500SBC	1/2"	1 5/16"	3/8"	3 3/16"									.343	2.91	2.02	3
KLF750SBC	3/4"	1 5/8"	15/32"	3 9/16"												

KLF Series



KLF SER



Flow Controls F Series

Application

Economically designed for effective control of hydraulic and pneumatic actuators where frequent adjustment is not required.

Features

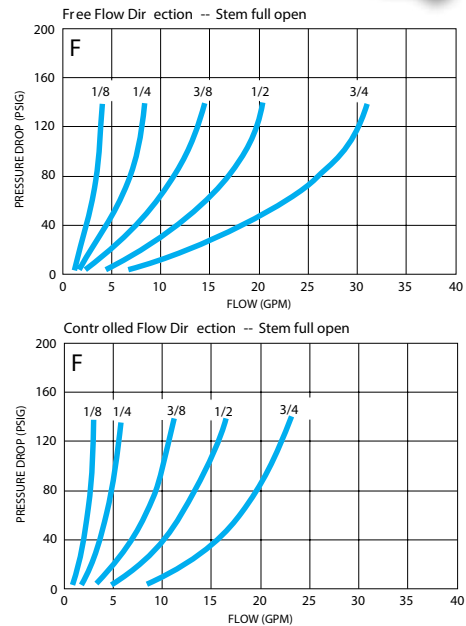
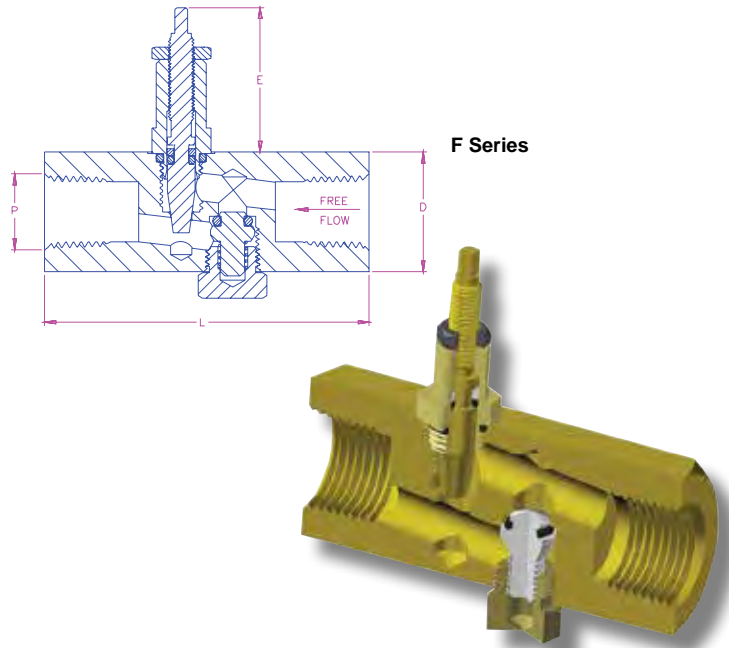
- Soft-seat piston check for leak-free service.
- Optional ball check for high cycle applications.
- Wrench flats provided to adjust setting, while resisting unwanted tampering.
- Steel valves are zinc plated and sealed with "golden" chromate for double corrosion protection.

Specifications

Max Operating Pressure Ball Check Models..... 5000 PSIG Steel
 Max Operating Pressure Ball Check Models..... 2000 PSIG Brass
 Max Operating Pressure Piston Check Models..... 2000 PSIG Brass
 Temperature Range..... -20°F to +212°F
 CV FactorSee Ordering Information
 Stem Taper8°
 Stem Pitch 40 Threads/Inch (1/8, 1/4, 3/8, 1/2" Sizes)
 Stem Pitch 24 Threads/Inch (3/4", Size)

Materials

Body 12L14 Steel or ASTM B 16 Brass
 Piston Assembly Stainless Steel with Viton O-Ring
 Ball..... Stainless Steel
 Spring Stainless Steel
 StemStainless Steel or Brass
 Knob Aluminum (1/8, 1/4, 3/8, 1/2" Sizes) Brass (3/4, 1" Sizes)
 Check Plug Steel or Brass
 Lock Nut Brass
 Stem Packing Viton O-ring with "Teflon" Backup Gland
 Chamber..... Steel



Ordering Information

Part Number	Body Material	Check Style	P (NPT) Female	D (In.) Hex	G (In.)	L (In.)	E (In.) Max.	Orifice Diam. (In.)	CV (Free-Flow Direction)	CV (Controlled Flow Direction)	Cracking Pressure (PSIG)
F125B	Brass	Piston	1/8"	11/16"	9/32"	1 3/4"	1 1/4"	.156	.32	.23	10
F250B			1/4"	7/8"	5/16"	2 3/8"			.70	.44	7
F375B			3/8"	1 1/16"	11/32"	2 3/4"	1 3/8"	.265	1.14	.90	8
F500B			1/2"	1 5/16"	3/8"	3 3/16"		.281	1.74	1.32	5
F250BBC			1/4"	7/8"	5/16"	2 3/8"		.156	.70	.44	7
F375BBC	3/8"	1 1/16"	11/32"	2 3/4"	1 3/8"	.265	1.14	.90	3		
F500BBC	1/2"	1 5/16"	3/8"	3 3/16"		.281	1.74	1.32	1		
F250SBC	Steel	Ball Check	1/4"	7/8"	5/16"	2 3/8"	1 1/4"	.156	.70	.44	7
F375SBC			3/8"	1 1/16"	11/32"	2 3/4"			.265	1.14	.90
F500SBC			1/2"	1 5/16"	3/8"	3 3/16"	1 3/8"	.281	1.74	1.32	1
F750SBC			3/4"	1 5/8"	15/32"	3 9/16"		.343	2.91	2.02	3

Check Valves C-Series

Application

Especially designed for the control of hydraulic and pneumatic systems. Allows full-flow in one direction only.

Features

- Efficient in line design provides high flow capability with low pressure drop.
- Soft seat poppet assures leak free service. Durable all metal poppets standard on all other models.
- Steel valves are zinc plated with "golden" chromate for double corrosion protection.
- Versatile design can be mounted in any position.

Specifications

Maximum Operating Pressure.....See Ordering Information
 Temperature Range..... -20°F to +212°F
 CV FactorSee Ordering Information
 Cracking Pressure..... 5 PSIG Standard, call for other settings

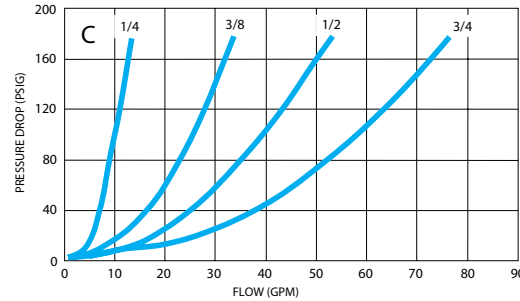
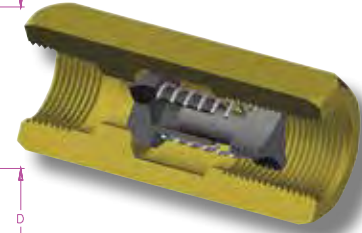
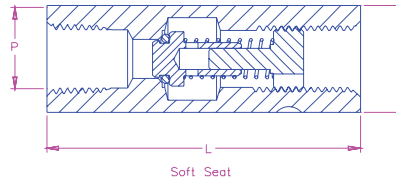
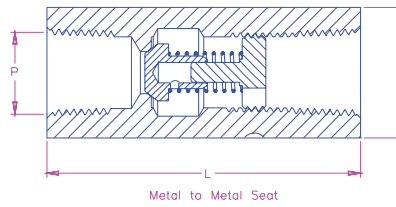
Materials

Body ASTM B 16 Brass, 12L14 Steel, or 303 Stainless Steel
 Spring Stainless Steel
 Piston..... Stainless Steel
 Piston Seat - soft-..... Viton

Ordering Information

Part Number	Seating Option	Inlet/Outlet Connections FNPT P	Length L	Wrenching Hex Size D	CV	Maximum Operating Pressure
Stainless Steel Check Valves						
C250SS	Metal	1/4"	2 3/8"	13/16"	.87	2000 PSIG
C375SS		3/8"	2 1/2"	1"	2.3	
C250SSL	Soft	1/4"	2 3/8"	13/16"	.87	250 PSIG
C375SSL		3/8"	2 1/2"	1"	2.3	
C500SSL		1/2"	3"	1 1/8"	3.5	2000 PSIG
C750SSL		3/4"	3 5/8"	1 1/2"	5.2	
Brass Body Check Valves						
C250B	Metal	1/4"	2 3/8"	13/16"	.87	2000 PSIG
C375B		3/8"	2 1/2"	1"	2.3	
C500B		1/2"	3"	1 1/8"	3.5	
C750B		3/4"	3 5/8"	1 1/2"	5.2	
C250BL	Soft	1/4"	2 3/8"	13/16"	.87	250 PSIG
C375BL		3/8"	2 1/2"	1"	2.3	
C500BL		1/2"	3"	1 1/8"	3.5	2000 PSIG
C750BL		3/4"	3 5/8"	1 1/2"	5.2	
Steel Check Valves						
C250S	Metal	1/4"	2 3/8"	13/16"	.87	2000 PSIG
C375S		3/8"	2 1/2"	1"	2.3	
C500S		1/2"	3"	1 1/8"	3.5	
C750S		3/4"	3 5/8"	1 1/2"	5.2	
C250SL	Soft	1/4"	2 3/8"	13/16"	.87	250 PSIG
C375SL		3/8"	2 1/2"	1"	2.3	
C500SL		1/2"	3"	1 1/8"	3.5	2000 PSIG
C750SL		3/4"	3 5/8"	1 1/2"	5.2	

C Series



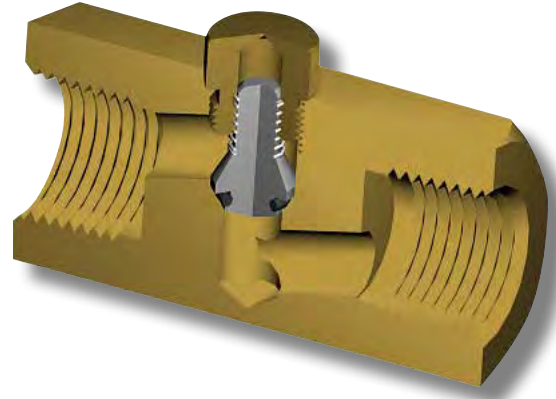
Check Valves BC & PC Series

Application

Compact, versatile design for the control of air and liquids. Allows full-flow in one direction.

Features

- Piston check design for leak-free air service.
- Ball check design for heavy duty liquid service.
- Low cracking pressures and smooth operation provide efficient service.
- Steel valves are zinc-plated and sealed with "golden" chromate for double corrosion protection.

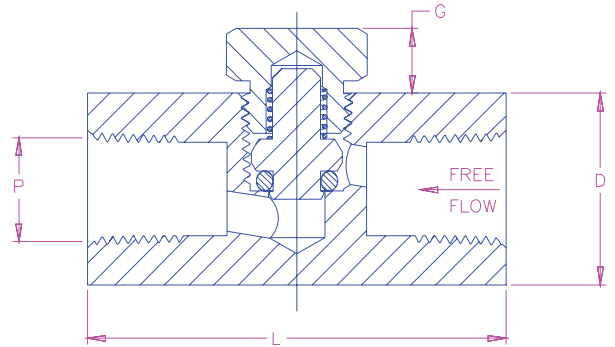
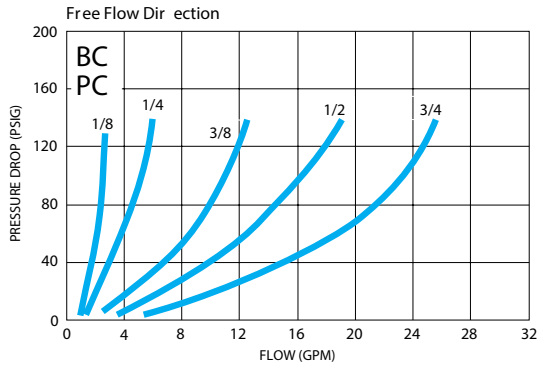
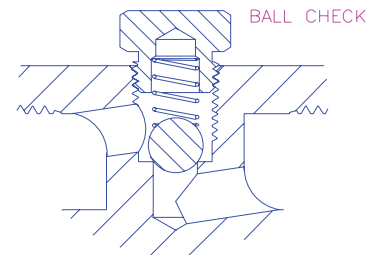


Specifications

Maximum Operating Pressure "BC" Models..... 5000 PSIG Steel
 Maximum Operating Pressure "BC" Models..... 2000 PSIG Brass
 Maximum Operating Pressure "PC" Models..... 2500 PSIG Steel
 Maximum Operating Pressure "PC" Models..... 2000 PSIG Brass
 Temperature Range.....-20°F to +212°F
 CV Factor See Ordering Information

Materials

Body 12L14 Steel or ASTM B16 Brass
 Piston Assembly "PC" Models Stainless Steel with Viton O-Ring
 Ball, "BC" Models..... Stainless Steel
 Spring Stainless Steel
 Plug Steel or Brass



Ordering Information

Part Number	Body Material	Check Style	P (NPT) Female	D (In.) Hex	L (In.)	G (In.)	Orifice Diameter (In.)	CV	Cracking Pressure (PSIG)
PCI25B	Brass	Piston	1/8"	11/16"	1 1/2"	9/32"	.203	.21	10
PC250B			1/4"	7/8"	2"	5/16"		.45	7
PC375B			3/8"	1 1/16"	2 1/4"	11/32"		1.00	8
PC500B			1/2"	1 5/16"	2 21/32"	3/8"		1.60	1/2
BC125B	Brass	Ball	1/8"	11/16"	1 1/2"	9/32"	.203	.21	11
BC250B			1/4"	7/8"	2"	5/16"		.45	7
BC375B			3/8"	1 1/16"	2 1/4"	11/32"		1.00	3
BC500B			1/2"	1 5/16"	2 21/32"	3/8"		1.60	1
BC250S	Steel	Ball	1/4"	7/8"	2"	5/16"	.203	.45	7
BC375S			3/8"	1 1/16"	2 1/4"	11/32"		1.00	3
BC500S			1/2"	1 5/16"	2 21/32"	3/8"		1.60	1
BC750S			3/4"	1 5/8"	3"	15/32"		.453	2.21

Check Valves CMM Series

Application

Space saving, in-line design for the control of air and liquids.

Features

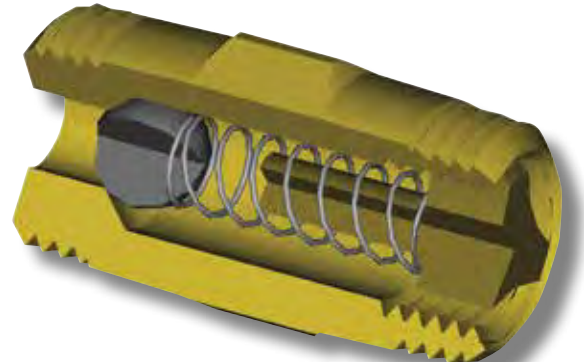
- Metal to Metal seal for leak-free liquid service.
- O-ring design for leak-free air service.
- Steel valves are zinc-plated and sealed with clear chromate for double corrosion protection.

Specifications

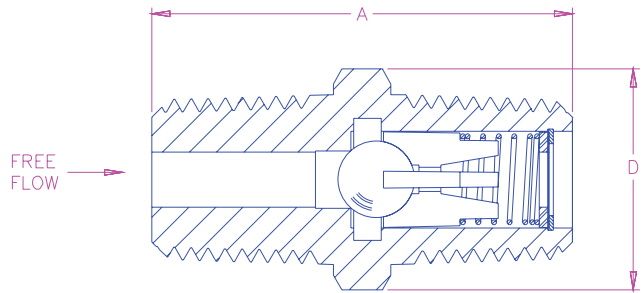
Maximum Operating Pressure.....See Ordering Information
 Temperature Range..... -20°F to +400°F
 Cracking Pressure.....See Ordering Information
 CV Factor See Ordering Information

Materials

Body ASTM B 16 Brass
 Body 12L14 Steel
 Ball..... Stainless Steel
 Retainer..... Brass or Steel
 Spring..... Stainless Steel



CMM Series



Ordering Information

Part Number	Body Material	Seal	Port Size (NPT) Male	A (In.)	B (In.) Hex	Orifice Diameter (In.)	CV	Cracking Pressure (PSIG)	Maximum Pressure (PSIG)
CMM250B	Brass	Metal	1/4"	1 5/32"	9/16"	3/16"	.5	7	1000
CMM250B-L		Viton							
CMM375B	Steel	Metal	3/8"	1 3/8"	11/16"	1/4"	.8	3	3000
CMM250S		Viton			9/16"	3/16"	.5	7	
CMM375S		Viton			3/8"	1 3/8"	11/16"	1/4"	

Relief Valves PRV - Series

Application

The PRV series of relief valves are ideal for air service. The valve will weep slightly at set pressure and achieve full lift and high flow by 110 percent of their rated set pressure.

Features

- Bubble tight at 97% of set pressure.
- Easy to read color coded psig / bar labels.
- Unique tamper resistant and staked adjusting screw.
- Repeatable performance.
- 100% factory tested.
- Temperatures Range -320 to +212 F.
- Set pressures range from 17-600psi.

Materials

Body	Brass
Spring	Stainless Steel
Seat Retainer.....	Brass
Adjusting Screw.....	Brass
Seat Disc (Below 140psi)	Fluorosilicone
Seat Disc (Above 140psi).....	Teflon

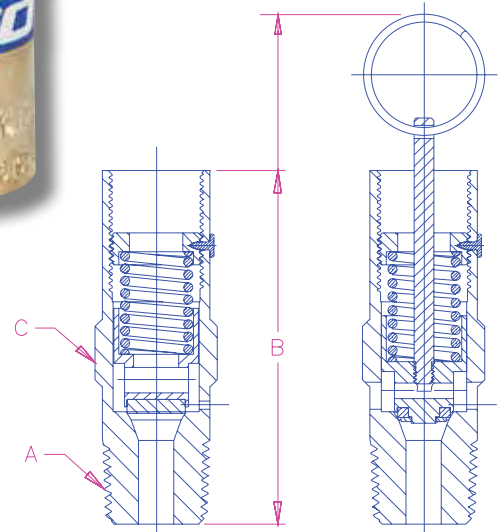
PRV Series also available with all stainless steel components

Flow Data for Rego 1/4", 3/8" & 1/2" Relief Valves:

Set Pressure PSIG	Flow Pressure PSIG	Flow Rate SCFM Air
22	24	29
50	55	52
100	110	93
150	165	134
230	253	200
350	385	298
400	440	339
450	495	380
500	550	421



PRV Series



WARNING: Inspection and maintenance of pressure relief valves is very important. Failure to properly inspect and maintain pressure relief valves could result in personal injuries or property damage. The useful safe service life of a pressure relief valve may be significantly affected by the service environment.

Ordering Information

The PRV - series valves are ordered by specifying the basic relief valve part number and specifying with or without pull ring.

Example:

PRV	250B	R	350
Series	Size	Ring or no ring	Pressure Setting

Ordering Information

Part Number Specify Relief Setting "XXX"	Ring Pull	Body	(NRT) Male	B Ht.	(I6.) Hex	Relief Setting
*PRV250BRXXX	Yes	Brass	1/4	3.0	7/8	Available in settings from 17- 600 psi.
PRV250BXXX	No			2.6		
*PRV500BRXXX	Yes		1/2	3.2		
PRV500BXXX	No			2.8		

* (R) indicates a relief valve comes with a pull ring.

Relief Valves ARV SERIES

Application

Adjustable design to relieve liquid pressure above a predetermined setting. For use anywhere excessive pressure may harm system components.

Features

- Space saving in line design.
- Retaining ring prevents adjusting screw from being backed out too far.
- Pop-off action does not “chatter” or “scream”.
- Metal-to-metal seal assures long life.
- Suitable for oil, water and steam.

Specifications

Operating Range 400 to 5000 PSIG
 Temperature Range..... -60°F to +450°F
 CV Factor21
 Orifice Diameter..... 3/32"

Materials

Body ASTM B16 Brass
 Spring 303 Stainless Steel
 Piston..... Brass
 Ball..... Stainless Steel
 Adjusting Screw..... 302 Stainless Steel (1/4" Allen Wrench)
 Retaining Ring..... Stainless Steel

Ordering Information

Part Number	A (NPT) Inlet Port	B (NPT) Outlet Port	C (In.) Length	D (In.) Hex
ARV250B	1/4" Male	3/8" Female	3 1/8"	7/8"

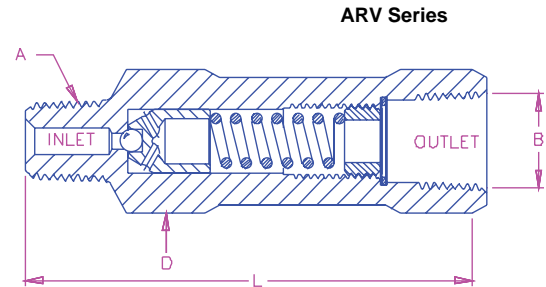
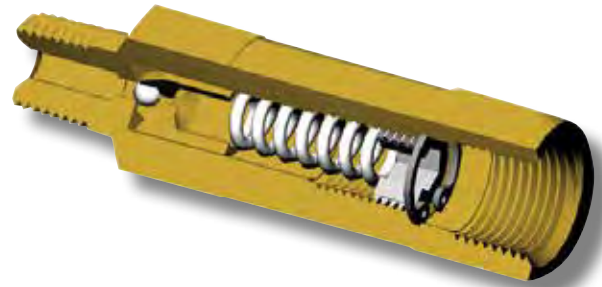
Flow Data

Flow and pressure drop characteristics for valves manufactured by Engineered Controls International, Inc. are based on laboratory testing of random production samples and by an independent testing agency. The graphs are based on 150 SSU oil at the controlled temperature of 140°F. Flow coefficients (CV) have been provided for valves in this catalog. Calculating flow or pressure drop at other conditions is achieved with the following equation:

$$\text{Flow in GPM} = C_v \frac{\sqrt{P_1 - P_2}}{\sqrt{G_f}}$$

Where...

- CV = Flow coefficient
- P1 = Inlet pressure (PSIG)
- P2 = Outlet pressure (PSIG)
- Gf = Specific gravity of medium at operating temperature



Compact Pneumatic Flow Controls With Push-In-Tube Connection

Features

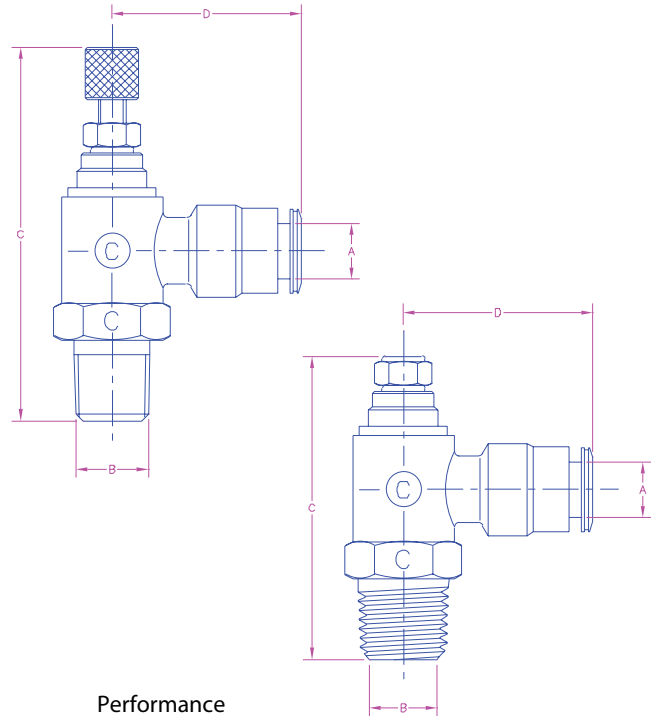
- Compact design permits mounting directly on pneumatic cylinder.
- Push-In-Tube connections allow convenient tube assembly without the need for tools or other components.
- Tubing easily installed by pushing into outlet and released by pressing collet and pulling.
- Available with convenient knurled knob or tamper resistant recessed screwdriver slot.
- Valves are nickel plated for corrosion protection.
- Unique cup seal provides positive seal during metered flow.
- Precision long-tapered stem provides accurate control.
- Tube Port rotates fully after mounting.

Specifications

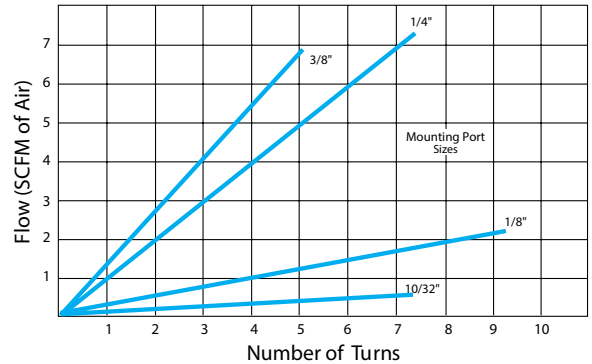
Operating Pressure 15 to 150 PSIG
 Temperature Range..... +32° F to +176° F
 Body Material..... OT58 Brass Body with Nickel Plating
 Seal Material..... Buna-N

Ordering Information

Part Number	Actuation	A Tube Port O.D.	B Mounting Port	C Height (Valve Open)	D
RAM 53-02	Knurled Knob	5/32"	1/8" NPT	1 1/8"	7/8"
RAM 4-02		1/4"			15/16"
RAM 4-04		3/8"	1/4" NPT	2 1/4"	1 1/8"
RAM 6-04			3/8" NPT	2 5/8"	15/16"
RAM 6-06	Recessed Screwdriver Slot	5/32"	1/8" NPT	1 1/2"	7/8"
RAS 53-02		1/4"			15/16"
RAS 4-04		3/8"	1/4" NPT	1 5/8"	1 1/16"
RAS 6-04			1/8" NPT	1 13/16"	15/16"
RAS 6-06					



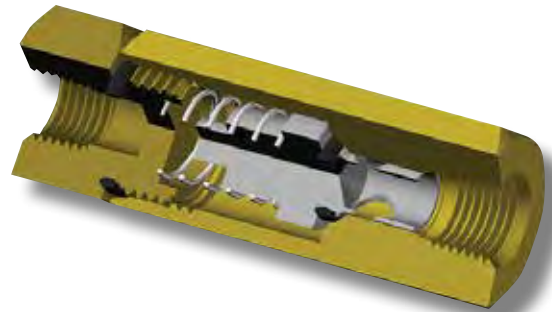
Performance



CW-series check valves

Features

- A check valve specifically designed and manufactured for the car wash/pressure washing industry.
- Unique two piece construction allows the user to dis-assemble the valve, clean and replace seals as necessary.
- Both valves which are available in 1/4" and 3/8"NPTF contain O-rings of Viton7 and Buna-N for long-lasting durability.
- Maximum operating pressure on each valve is 2000 psi.
- Cracking pressure is 5 psig.



Ordering Information

Valve Number	Material	Thread (Both Ends)	A Length (in)	B Width (in)
CW250BL	ASTM B 16 Brass	1/4 NPTF	3.03	1.00
CW375BL		3/8 NPTF		
CW250SSL	303 Stainless Steel	1/4 NPTF		
CW375SSL		3/8 NPTF		

Limited Warranty and Limitation of Liability



LIMITED WARRANTY

RegO warrants products and repair kits manufactured by it to be free from defects in materials and workmanship under normal use and service for a period of 12 months from the date of installation or operation or 18 months from the date of shipment from the factory, whichever is earlier. If within thirty days after buyer's discovery of what buyer believes is a defect, buyer notifies RegO thereof in writing, RegO, at its option, and within forty-five days, will repair, replace F.O.B. point of manufacture, or refund the purchase price of that part or product found by it to be defective. Failure of buyer to give such written notice within thirty days shall be deemed an absolute and unconditional waiver of any and all claims of buyer arising out of such defect.

This warranty does not extend to any product or part that is not installed and used in accordance with RegO's printed instructions, all applicable state and local regulations, and all applicable national standards, such as those promulgated by NFPA, DOT, CGA, and ANSI. This warranty does not extend to any product or part that has been damaged by accident, misuse, abuse or neglect, nor does it extend to any product or part which has been modified, altered, or repaired in the field.

Except as expressly set forth above, and subject to the limitation of liability below, RegO makes NO OTHER WARRANTY, EXPRESS OR IMPLIED, INCLUDING, BUT NOT LIMITED TO THE IMPLIED WARRANTIES OF MERCHANTABILITY AND FITNESS FOR A PARTICULAR PURPOSE, with respect to its products and parts, whether used alone or in combination with others. RegO disclaims all warranties not stated herein.

LIMITATION OF LIABILITY

RegO's total liability for any and all losses and damages arising out of any cause whatsoever shall in no event exceed the purchase price of the products or parts in respect of which such cause arises, whether such cause be based on theories of contract, negligence, strict liability, tort or otherwise.

RegO shall not be liable for incidental, consequential or punitive damages or other losses. RegO shall not be liable for, and buyer assumes liability for, all personal injury and property damage connected with the handling, transportation, possession, further manufacture, other use or resale of products, whether used alone or in combination with any other products or material.

If RegO furnishes technical advice to buyer, whether or not at buyer's request, with respect to application, further manufacture or other use of the products and parts, RegO shall not be liable for technical advice and buyer assumes all risks of such advice and the results thereof.

NOTE: Some states do not allow the limitation or exclusion of incidental or consequential damages, so the above limitations or exclusions, wholly or partially, may not apply. The portions of this limited warranty and limitation of liability shall be considered severable and all portions which are not disallowed by applicable law shall remain in full force and effect.

WARNING

All RegO products are mechanical devices that will eventually become inoperative due to wear, corrosion and aging of components made of materials such as rubber, etc. The environment and conditions of use will determine the safe service life of these products. Periodic inspection and maintenance are essential to avoid serious injury and property damage.

Many RegO products are manufactured components which are incorporated by others on or in other products or systems used for storage, transport, transfer and otherwise for use of toxic, flammable and dangerous liquids and gases. Such substances must be handled by experienced and trained personnel only, using accepted governmental and industrial safety procedures.

NOTICE TO USERS OF PRODUCTS

The Limited Warranty stated above is a factory warranty to the first purchasers of RegO products. Since most users have purchased these products from RegO distributors, the user must within thirty (30) days after the user's discovery of what user believes is a defect, notify in writing the distributor from whom he purchased the product/parts. The distributor may or may not at the distributor's option, choose to submit the product/parts to RegO pursuant to its Limited Warranty. Failure by buyer to give such written notice within thirty (30) days shall be deemed an absolute and unconditional waiver or buyer's claim for such defects. Acceptance of any alleged defective product/parts by RegO's distributor for replacement or repairs under the terms of RegO's Limited Warranty in no way obligates RegO to the terms of the above warranty.

Because of a policy of continuous product improvement, RegO reserves the right to change designs, materials or specifications without notice.

Canadian Registration Numbers

The majority of products in this catalog are registered with the Canadian Department of Labor under the following reference Number: 0* 8040.5**

* Represents Fitting Categories: A, C, G, H

Province

CRN

1 British Columbia	0 * 8040.51
2 Alberta	0 * 8040.52
3 Saskatchewan	0 * 8040.53
4 Manitoba	0 * 8040.54
5 Ontario	0 * 8040.5
6 Quebec	0 * 8040.56
7 New Brunswick	0 * 8040.57

8 Nova Scotia	0 * 8040.58
9 Prince Edward Island	0 * 8040.59
0 Newfoundland	0 * 8040.50
N Nunavut	0 * 8040.5N
T Northwest Territories	0 * 8040.5T
Y Yukon Territory	0 * 8040.5Y

* Represents Fitting Categories A, C, F, G, H

Notes



REGO®

3181 Lear Drive Burlington, NC 27215 USA Phone (336) 226-3244 Fax (336) 227-6294
E-mail: CFLO@REGOPRODUCTS.COM Catalog FC-500 Printed in the U.S.A.
www.regoproducts.com

05-0613-0397