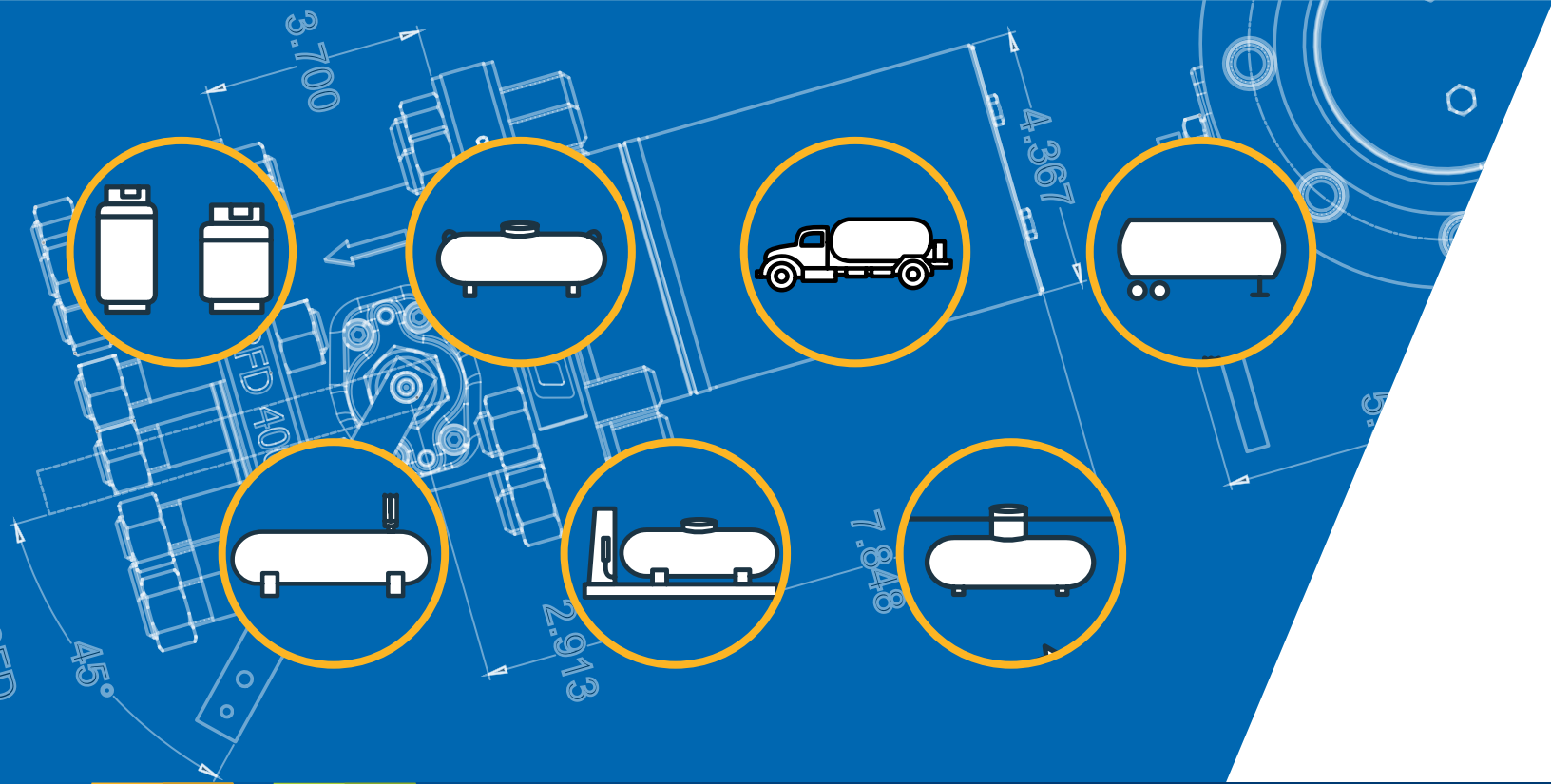




PART OF OPW | a DOVER company



REGO
10
YEAR
WARRANTY

REGO
100% TESTED
★

2023

Featured Product Information

- Extended Double-Check Filler Valve
- Filler Valve Extension Retrofit Kit for L7579
- Hose End Adapters for DOT Cylinder Filling
- Stainless Steel 3" Double Flange Internal Valve
- Stainless Steel 3" Single Flange Internal Valve
- Stainless Steel 2" F.NPT Back Check
- Stainless Steel 3" F.NPT Back Check
- Stainless Steel 3" F.NPT by 3" M.MPT/2" F. NPT Back Check
- RegO Presto-Link
- Coming Soon



Extended Double-Check Filler Valves

E7579

Application

The E7579 is a RegO manual double-back check filler valve that incorporates two resilient upper checks. It also provides an additional height when connecting your hose end valve without the need for a filler extension. The additional height of this filler valve reduces the chance of exposure to dirt, debris, etc. that typically occur in underground tank applications.

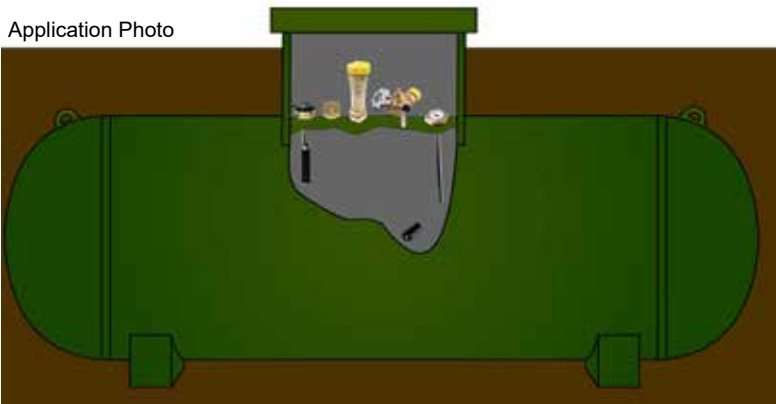
Features

- Provides an additional height of approximately 4.5" compared to standard L7579 filler valve
- Low emission- 2.14 cubic centimeters at disconnect
- Double-back check provides added system protection provided with two soft seat upper checks and metal to metal lower check
- Upper filler valve assembly can be easily replaced without evacuating the container
- Upper and lower checks are spring actuated for quick, precise closure when flow into the valve stops or reverses
- Specify RegO Filler Valves on all your original tank purchases to ensure quality and dependable performance
- Temperature range of -40°F to +165°F
- MAWP: 250 PSIG(17 Bar)

Materials

Upper Body.....	Brass
Lower Body.....	Brass
Springs.....	Stainless Steel
Washer and Seat Disc.....	Synthetic Rubber
Cap.....	Plastic

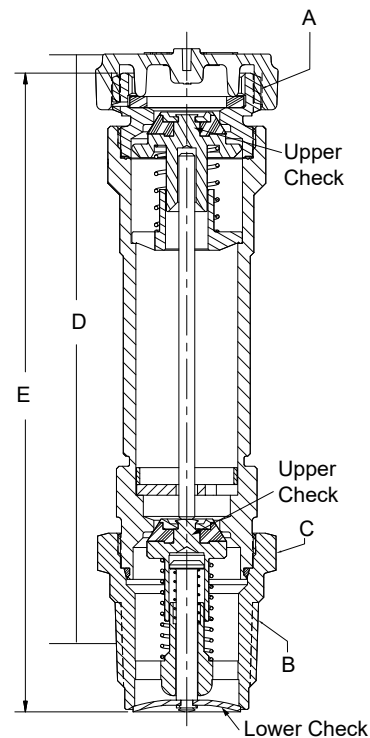
Application Photo



E7579C



EG167



Ordering Information

Part Number		A.	B.	C.	D.	E.	Accessories*
Basic	With Cap & Lanyard	ACME Hose Connection	Tank Connection M. NPT	Wrench Hex Flats	Effective Length (Approx.)	Effective Length (Approx.)	Float Gauge Extension
E7579	E7579C	1¼"	1¼"	1⅝"	6⅝"	7½"	EG167

*Not Included

Filler Valve Extension Retrofit Kit for L7579 E7579-KIT

Application

The E7579-KIT Extension Retrofit Kit is designed to extend the filler valve section upward on the L7579, when it is necessary to allow for an extended filler connection.

Features & Benefits

- Provides an additional height of approximately 4.5" to the L7579 filler valve
- Low emission- 2.14 cubic centimeters at disconnect
- Double-back check provides added system protection provided with two soft seat upper checks and metal to metal lower check



Ordering Information

Part Number	For use on:	F. ACME Connection	Wrench Hex Flats
E7579-KIT	L7579	1 1/4"	1 7/8"
	L6579		

Hose End Adapters for DOT Cylinder Filling 7193U-10S

Application

Designed to provide quick and easy filling of DOT cylinders with Type I connections.

Features & Benefits

- All Stainless Steel Construction increase service life for high volume usage



7193U-10S



Ordering Information

Part Number	Application	Inlet Connection	Outlet Connection
7193U-10S	Filling of DOT Cylinders with Type I Connections	1/4" M. NPT	Type 1 Connection (15/16" F. ACME)

Stainless Steel 3" Double Flange Internal Valve SSA3218FD

Application

Stainless steel internal valve series for use with LP-Gas or NH3 on Bobtails, Transports, Storage Plants, or Nurse tanks. Can be actuated manually, by remote cable, or by various actuator types (sold separately).



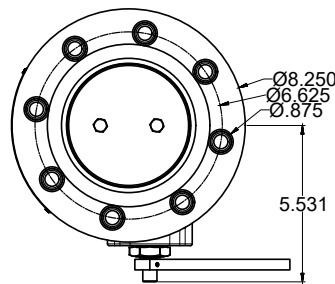
Features & Benefits

- Roller type opening provides decades of dependable, low maintenance service
- Stainless steel bodies increase service life even in the harshest of conditions; does not require painting but can be if desired
- Replacement bonnets available (sold separately)
- High flow design prevents pump cavitation and efficiency loss, saving time and money
- Built-in excess flow valve and shear studs meet or exceed industry standards to ensure safety
- Temperature range of -40°F to +165°F (-40°C to +73°C)
MAWP: 400 PSIG(27 Bar)

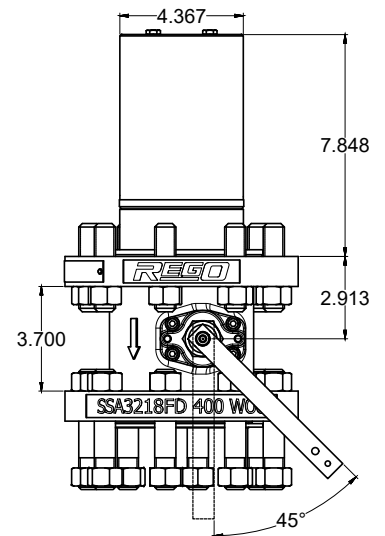


Materials

Body	Stainless Steel
Stem	Stainless Steel
Seat	Stainless Steel
Seat Disc	Nitrile
Springs	Stainless Steel
Stem Seals	PTFE



SSA3218FD



Ordering Information

Part Number	Inlet Connection	Outlet Connection	Closing Flow GPM		Accessories	
			LP-Gas	NH3	Pneumatic Actuator	Rotary Actuator
SSA3218FD160	"3" 300# ANSI RF Modified Flange**	"3" 300# ANSI RF Flange"	160	145	A3218PA	"A3218OA A3218RA"
SSA3218FD210			210	190		
SSA3218FD260			260	236		
SSA3218FD410			410	372		
SSA3218FD510			510	459		

* Valve supplied with 16 nuts and 8 studs for mounting.

**Modified bore=4%" diameter with 5%" diameter raised face.

Stainless Steel 3" Single Flange Internal Valve SSA3218F

Application

Stainless steel internal valve series for use with LP-Gas or NH₃ on Bobtails, Transports, Storage Plants, or Nurse tanks. Can be actuated manually, by remote cable, or by various actuator types (sold separately).



Features & Benefits

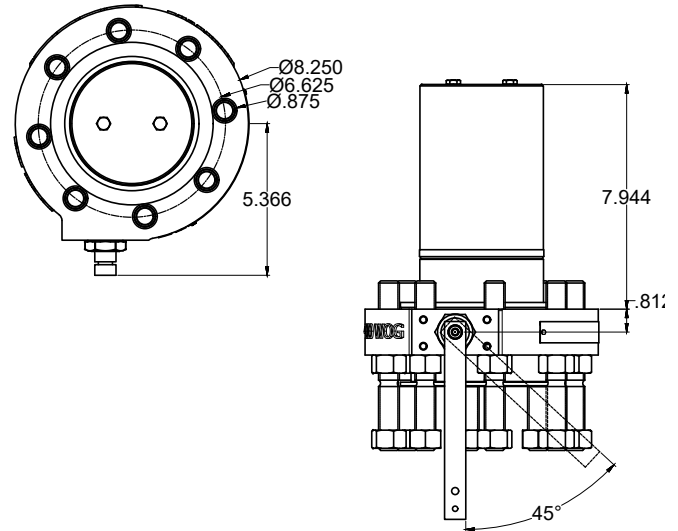
- Roller type opening provides decades of dependable, low maintenance service
- Stainless steel bodies increase service life even in the harshest of conditions; does not require painting but can be if desired
- Packing can be easily serviced as piping does not have to be disconnected to remove and repack stem
- High flow design prevents pump cavitation and efficiency loss, saving time and money
- Built-in excess flow valve and shear studs meet or exceed industry standards to ensure safety
- Temperature range of -40°F to +165°F (-40°C to +73°C)
MAWP: 400 PSIG(27 Bar)



SSA3218F

Materials

Body	Stainless Steel
Stem	Stainless Steel
Seat	Stainless Steel
Seat Disc	Nitrile
Springs	Stainless Steel
Stem Seals	PTFE



Ordering Information

Part Number	Inlet Connection	Outlet Connection	Closing Flow GPM		Accessories	
			LP-Gas	NH ₃	Pneumatic Actuator	Rotary Actuator
SSA3218F160	3" 300# ANSI RF Modified Flange*	3" 300# ANSI RF Flange	160	145	A3218FPA	A3218LOA A3218FRA
SSA3218F210			210	190		
SSA3218F260			260	236		
SSA3218F410			410	372		
SSA3218F510			510	459		

* Valve supplied with 16 nuts and 8 studs for mounting

Pneumatic Rotary Actuators

A3200A Series

Application

These actuators provide the opening and closing of valves in hard to reach or remote areas. Useful on bobtail delivery trucks, transport trailers, and bulk plants, their remote control can safely be piped to almost any location.

Features & Benefits

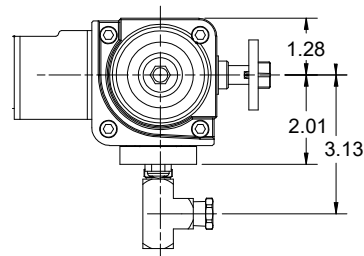
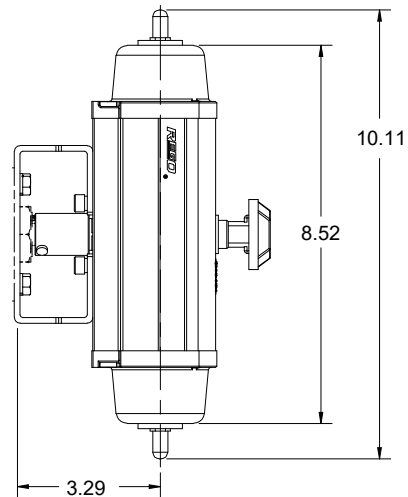
- For use with nitrogen or compressed air
- Compact size with same power and torque for easier placement
- Low-friction construction with self-lubricated strips prevents the actuator from sticking even after long periods of inactivity
- Double-acting movement powerful in both opening and closing for true automated control
- Wear items, including pins, slots and bushings made of hardened steel for the utmost durability and longevity
- Scotch yoke design turns linear motion of piston into rotary motion for valve actuation and eliminates rack and pinion, teeth and gears that are susceptible to stripping, providing a lighter weight, smaller product with longer life
- Rolled cylinder provides a super smooth surface finish for less wear and longer life.
- Expected service life 1,500,000+ cycles
- Inlet tee fitted with 1/4" F. NPT outlet and 212° F thermal fuse plug

Materials

Body Aluminum
 Springs Stainless
 Stem Seals Nitrile



A3217LOA



Ordering Information

Part Number	For Internal Valve Series	Recommended Supply Pressure	Inlet Connection	Outlet Connection
A3209OA	A3209D	90-120 psi (6.2-8.4 bar)	1/4" F. NPT*	Filtered Vent
	A3211D			
A3212OA	A3212R			
A3213OA	A3213D			
A3217LOA	A3217AL			
	A3217DAL			
A3217ROA	A3217AR			
	A3217DAR			

*1/8" F. NPT Inlet Connection to Rotary Actuator tee provided for 1/4" F. NPT Connection

Stainless Steel 2" F.NPT Soft Seat Back Check SSA3186

Application

Designed to provide protection of a container opening when desired flow is always into the vessel. May be used in line applications where flow must be limited to one direction.

When used with the appropriate single check filler valve, the combination forms a double check filler valve suitable for use in filling of bulk storage tanks.

Features

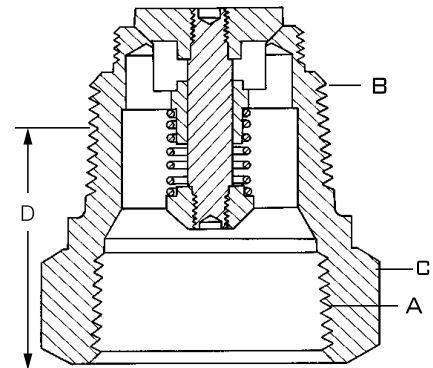
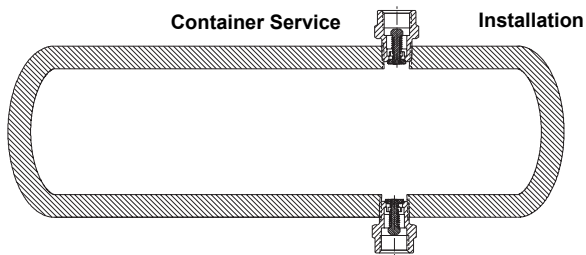
- Generous flow channels for low pressure drop.
- Heavy-duty Stainless Steel construction for long service life.
- Soft seat valves have synthetic rubber seat disc for positive seals.
- Temperature range of -40°F to +165°F (-40°C to +73°C)
- MAWP: 400 PSIG(27 Bar)

Materials

Body Stainless Steel
 Disc Stainless Steel
 Stem Stainless Steel
 Spring Stainless Steel
 Seat Disc Nitrile



SSA3186



Ordering Information

Part Number	A Inlet Connection F.NPT	B Outlet Connection M.NPT	C Wrench Hex Flats	D Effective Length (approx.)
SSA3186	2"	2"	3"	2 3/8"

NOTE: Multiply flow rate by .94 to determine liquid butane capacity and by .90 to determine liquid anhydrous ammonia capacity.

Stainless Steel 3" F.NPT Soft Seat Back Check SSA3196

Application

Designed to provide protection of a container opening when desired flow is always into the vessel. May be used in line applications where flow must be limited to one direction.

When used with the appropriate single check filler valve, the combination forms a double check filler valve suitable for use in filling of bulk storage tanks.

Features

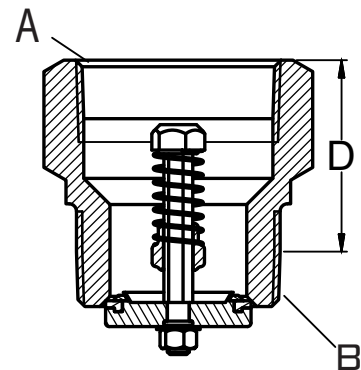
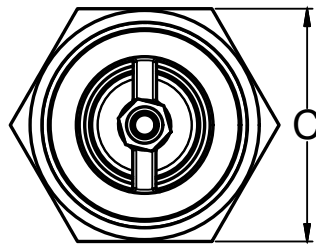
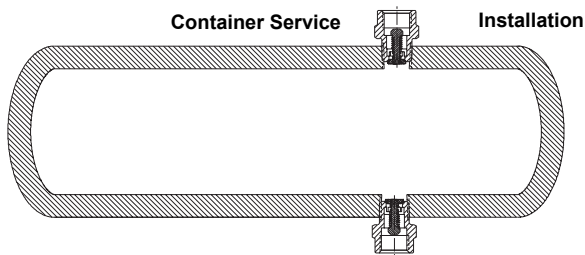
- Generous flow channels for low pressure drop.
- Heavy-duty Stainless Steel construction for long service life.
- Soft seat valves have synthetic rubber seat disc for positive seals.
- Temperature range of -40°F to +165°F (-40°C to +73°C)
- MAWP: 400 PSIG(27 Bar)

Materials

Body Stainless Steel
 Disc Stainless Steel
 Stem Stainless Steel
 Spring Stainless Steel
 Seat Disc Nitrile



SSA3196



Ordering Information

Steel	A Inlet Connection F.NPT	B Outlet Connection M.NPT	C Wrench Hex Flats	D Effective Length (approx.)
SSA3196	3"	3"	4"	37/32"

NOTE: Multiply flow rate by .94 to determine liquid butane capacity and by .90 to determine liquid anhydrous ammonia capacity.

Stainless Steel 3" F.NPT by 3" M.MPT/2"F. NPT Soft Seat Back Check SSA3197

Application

Designed to provide protection of a container opening when desired flow is always into the vessel. May be used in line applications where flow must be limited to one direction.

When used with the appropriate single check filler valve, the combination forms a double check filler valve suitable for use in filling of bulk storage tanks.

Features

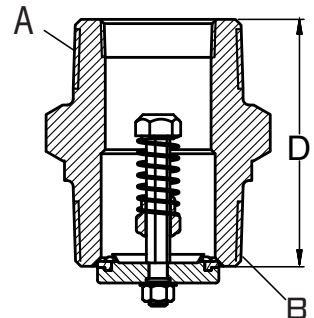
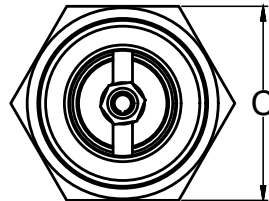
- Generous flow channels for low pressure drop.
- Heavy-duty Stainless Steel construction for long service life.
- Soft seat valves have synthetic rubber seat disc for positive seals.
- Temperature range of -40°F to +165°F (-40°C to +73°C)
- MAWP: 400 PSIG(27 Bar)

Materials

Body	Stainless Steel
Disc	Stainless Steel
Stem	Stainless Steel
Spring	Stainless Steel
Seat Disc	Nitrile



SSA3197



Ordering Information

Part Number	A Inlet Connection F.NPT	B Outlet Connection M.NPT	C Wrench Hex Flats	D Effective Length (approx.)
SSA3197	2" F. NPT/3" M. NPT	3"	4"	5 ⁹ / ₁₀ "

NOTE: Multiply flow rate by .94 to determine liquid butane capacity and by .90 to determine liquid anhydrous ammonia capacity.

Coming Soon - Updates for the RegO App

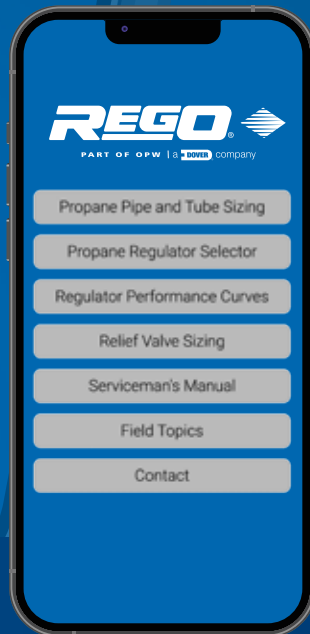
Convenient and easy to use...
Download it for FREE!



With Presto-Link Bluetooth Gauge Connection! What else is New?

- Electronic Record-Keeping
- Digital Documentation for
 - Leak Check Paperwork
 - Appliance Check Paperwork
 - System Checks Paperwork
- Offline Access to the App

Contact RegO for a Demo Today!



Presto-link® Bluetooth Gauge Kit w/ Bleeder Valve, 36" Flexible Hose & Quick Adapter PT36KIT Series

Application

Presto-link® bluetooth gauge solution provides a convenient means to obtain pressure readings thru the RegO App on your mobile device. This kit includes a Presto-link® Bluetooth Gauge and quick adapter assembly, 36" Flexible hose assembly fitted with bleeder and quick adapter assembly for connection to the Presto-Tap Fittings.

Features

- Presto-link® Bluetooth Gauge With Quick Connect Adapter
- 36" Universal Flex Hose w/Gauge Bleeder & Quick Connect Adapters Assembly
- 7/16" 12 Point Open Face Ratcheting Combo Wrench
- 3/16" Allen Wrench / Hex Key
- 6 of LDS2000RV 1/8" M. NPT Presto-tap Fitting
- Packaged in a padded case



PT36KIT Series



Ordering Information

Part Number	Bluetooth Presto-Link Gauge Included		Bleeder	Hose Length
	PTLINKH 0-250 PSIG Reading	PTLINKL 0-50" wc		
PTLINKH-36KIT	X		Yes	36"
PTLINKL-36KIT		X		
PTLINKC-36KIT	X	X		

Presto-link® Bluetooth Gauge Kit w/ Bleeder & Quick Adapter PTKIT Series

Application

Presto-link® bluetooth gauge solution provides a convenient means to obtain pressure readings thru the RegO App on your mobile device. This kit includes a Presto-link® Bluetooth Gauge, bleeder and quick adapter assembly for connection to the Presto-Tap Fittings.

Features

- Presto-link® Bluetooth Gauge With Gauge Bleeder & Quick Connect Adapter Assembly
- 7/16" 12 Point Open Face Ratcheting Combo Wrench
- 3/16" Allen Wrench / Hex Key
- 6 of LDS2000RV 1/8" M. NPT Presto-tap Fitting
- Packaged in a Padded Case



PTKIT Series



Ordering Information

Part Number	Bluetooth Presto-Link Gauge Included		Quick Adapter	Bleeder
	PTLINKH 0-250 PSIG Reading	PTLINKL 0-50" wc		
PTLINKH-KIT	X		90°	Yes
PTLINKL-KIT		X		
PTLINKC-KIT	X	X		

Presto-link® Bluetooth Gauge Kit w/ Quick Adapter

PTKGA Series

Application

Presto-link® bluetooth gauge solution provides a convenient means to obtain pressure readings thru the RegO App on your mobile device. This kit includes a Presto-link® Bluetooth Gauge and quick adapter assembly, 36" Flexible hose assembly fitted with bleeder and quick adapter assembly for connection to the Presto-Tap Fittings.

Features

- Presto-link® Bluetooth Gauge With Quick Connect Adapter
- 36" Universal Flex Hose w/Gauge Bleeder & Quick Connect Adapters Assembly
- 7/16" 12 Point Open Face Ratcheting Combo Wrench
- 3/16" Allen Wrench / Hex Key
- 6 of LDS2000RV 1/8" M. NPT Presto-tap Fitting
- Packaged in a padded case



PTKGA Series



Ordering Information

Part Number	Bluetooth Presto-Link Gauge Included		Quick Adapter
	PTLINKH 0-250 PSIG Reading	PTLINKL 0-50" wc	
PTLINKH-KGA	X		Straight
PTLINKL-KGA		X	
PTLINKC-KGA	X	X	

Presto-Tap® LDS2000/RV Fitting

Application

The patented, UL Listed Presto-Tap® LDS2000/RV is designed to obtain pressure readings and perform leak test without breaking into the system by utilizing the proper Presto-Tap® gauge for the selected testing location. Legal installed at any point in the system.



Features

- Brass 1/8" MNPT X 1/4" Flare Housing with #54 Orifice and Everseal
- Valve Core with Viton Seat
- UV Resistant Cap with Nitrile "O" Ring
- UL Label

Materials

Valve Body..... Brass
 Core..... Stainless Steel w/Nylon Seal & Viton seat
 Cap..... UV Resistant Plastic w/Nitril "O" Ring
 Label..... UV resistant Plastic w/Marking



LDS2000RV

Ordering Information - Tank Pressure Application (UL Listed)

Part Number	Thread	Core	Body Wrench Flat	Cap Material	#54 Orifice	Application
LDS2000RV	1/8" M. NPT	Viton	7/16"	UV Resistant Plastic	YES	Tank Pressure

Presto-Tap® RVL & PT-AF14 Fitting

Application

The RVL & PT-AF14 is designed to obtain pressure readings and perform leak test without breaking into the system by utilizing the proper Presto-Tap® gauge installed at the regulator gauge port location.



RVL

Ordering Information - Low Pressure Application (Non UL Listed)

Part Number	Thread	Core	Body Wrench Flat	Cap Material	#54 Orifice	Application
RVL	1/8" M. NPT	Viton	7/16"	Brass	NO	Regulator Installation
PT-AF14	1/4" M. NPT					

Patented Tank Pressure Fitting TPF Series

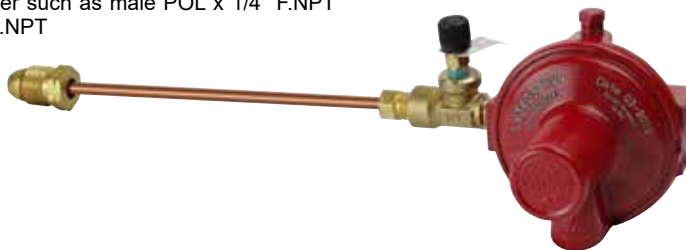
Application

Low cost, permanently installed fitting between tank service valve and first stage regulator providing leak test capability without the use of tools. Eliminates the need to discard pigtail to access tank pressure.



Features

- Easily installed with an adapter such as male POL x 1/4" F.NPT and 1/4" female POL x 1/4" M.NPT



TPF

Ordering Information

Tank Pressure Fitting			
Part Number	Inlet	Outlet	Reduces Emissions
TPF	1/4" F. NPT	1/4" M. NPT	Up to 90%

RegO Internal Valves - New Series coming soon!

Application

Stainless steel internal valve series for use with LP-Gas or NH3 on Bobtails, Transports, Storage Plants, or Nurse tanks. Fits in both full and half couplings as well as in-line applications and can be actuated manually, by remote cable, or by various actuator types (sold separately).

Features & Benefits

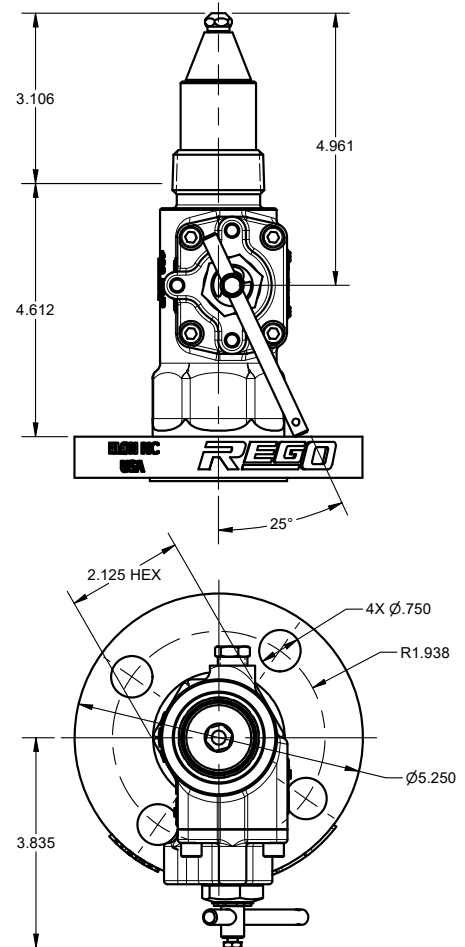
- Cam or roller type opening provides decades of dependable, low maintenance service
- Stainless steel bodies increase service life even in the harshest of conditions; does not require painting but can be if desired
- Replacement bonnets available (sold separately)
- Removable bonnet (where applicable) provides capability to replace bonnet as needed without disconnecting piping, thereby minimizing downtime; removed bonnet can be repaired for installing again later
- Internal valves without removable bonnets can still be easily serviced as piping does not have to be disconnected to remove and repack stem
- High flow design prevents pump cavitation and efficiency loss, saving time and money
- Built-in excess flow valve and shear studs meet or exceed industry standards to ensure safety

Materials

Body Stainless Steel
 Stem Stainless Steel
 Seat Stainless Steel
 Seat Disc Nitrile
 Springs Stainless Steel
 Stem Seals PTFE



A3209F



Ordering Information

Part Number	Inlet	Outlet	Removable Bonnet
A3209F	1¼" M. NPT	1¼" Flange	Yes
A3212FD	2" 300# ANSI RF Modified Flange*	2" 300# ANSI RF Flange	
A3212F	2" M. NPT		

* Valve supplied with 16 nuts and 8 studs for mounting



PART OF OPW | a DOVER company

Reliable Dependable Regulators

Made in the USA

Easy to Find

Quickly find the information you need with our patented laser-engraved part number, date code and serial number that matches included GASCheck™ Labels.

	Model: LV4403TR9	Internal Relief: Yes	UL Listed: Yes
	System Stage (type): 1st		ID #: 18326687
	Spring Range 5-10 PSI		Mfg Date: 11-2022 Made in: USA

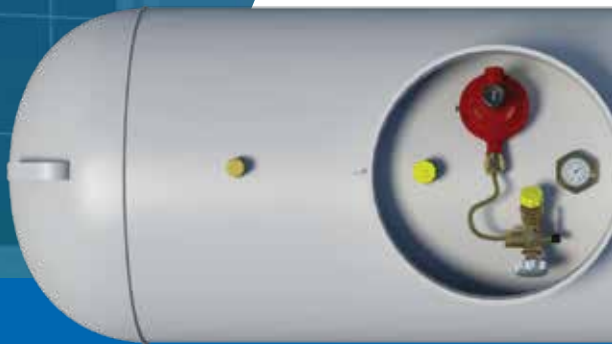


No Special Tools Required

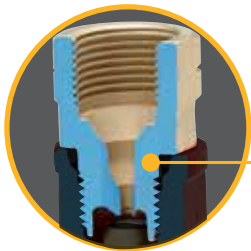
Our pressure plug ports conform to a standard 7/16" wrench.

Easier to Secure

Our bonnet cap features a loop for a lanyard to help keep it secured, making it more tamper resistant.

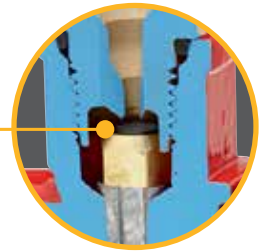


When you specify RegO, you get 100% tested products backed by our industry-leading 10-year warranty and our global support network. Our products are designed for fast and easy maintenance, to save you time and money—and give you peace of mind.



Easy to Service

The nozzle orifice is easily replaceable and precision machined to prevent scoring of the seat disc.



Reliable Service

Resilient seat disc construction gives sure closing at lock up pressure. Straight line seat disc to nozzle operation provides even seat disc wear and positive lock up.



Easy to Adjust

We redesigned our adjusting screw to be easily turned by hand.

