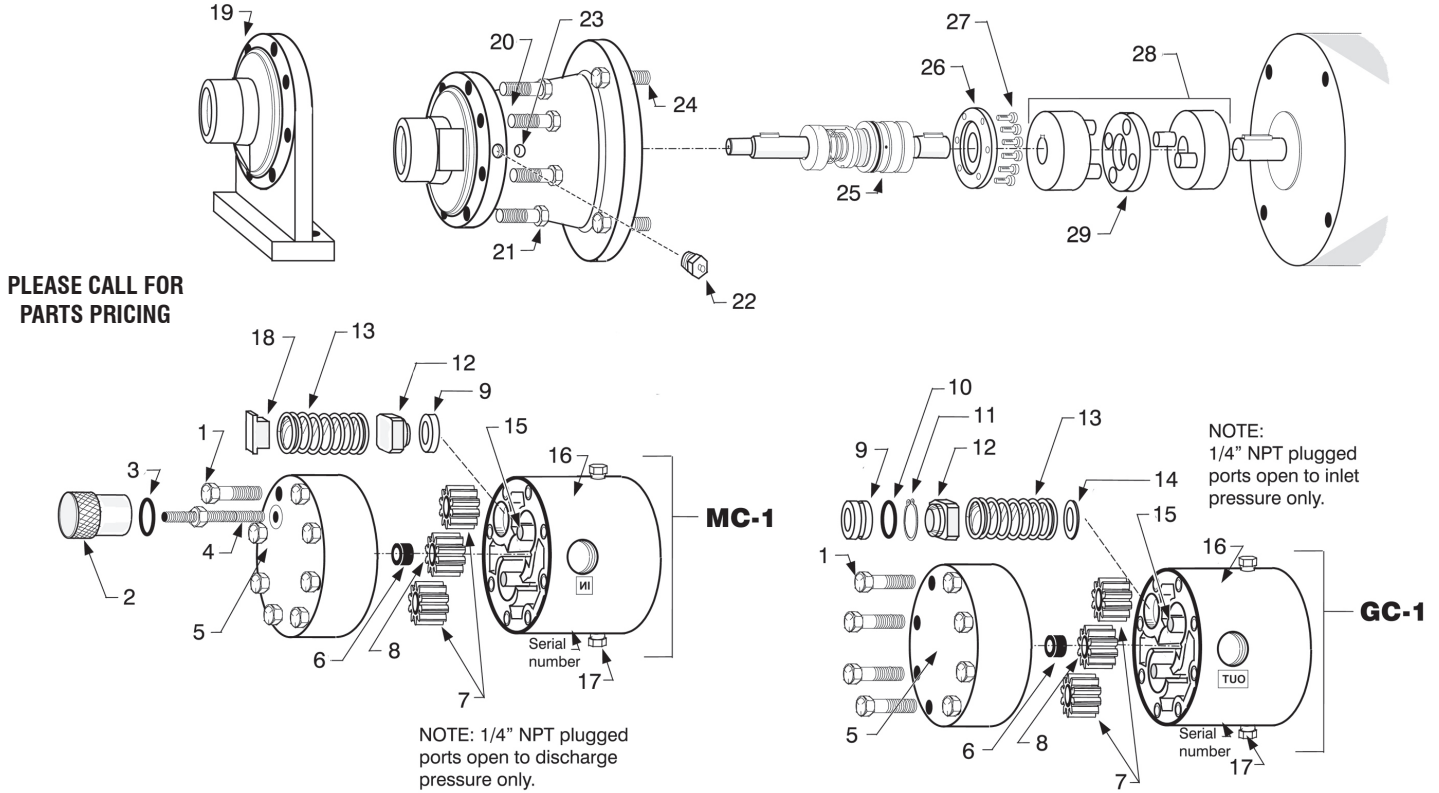


Smith Pumps - Parts for GC and MC Series



Ref #	Part #	Description	Qty.
1	3/8-16Tx1-3/4L	Cap screws for gear end cover	8
2	649-30	Valve cap	1
3	6227-12*	O-ring	1
4	649-42	Valve adjusting screw with nut	1
5	649-2 649-2G	Gear end cover for MC-1 Gear end cover for GC-1	11
6	649-11*	Main shaft bushing for cover	1
7	649-6*	Idler gears with bushing	2
8	649-5*	Drive gear	1
9	649-29S* 649-29*	Bypass valve seat, MC-1 Valve seat, GC-1	1
10	6227-14*	O-ring for valve seat	1
11	5008-100	Lock ring	1
12	649-41*	Bypass valve	1
13	649-31	Bypass valve spring	1
14	649-29A**	Optional- Bypass valve spring spacer	1
15	649-9	Idler gear shafts	2

Ref #	Part #	Description	Qty.
16	649-1	Main housing	1
17	14PLUG	1/4" Pipe plugs	2
18	649-40	Bypass valve spring retainer	1
19	649-3D**	Option- Foot mount shaft end cover	1
20	649-3C	Flanged shaft end cover mounts directly to fractional hp, NEMA C-face motor	1
21	3/8-16Tx1-1/4L	Cap screws	8
22	FITTING1827**	Optional leak detect port bleed fitting	1
23	-----	5/16" access port for coupling set screw	1
24	3/8-16Tx1L	Cap screws for motor mounting	4
25	MC-100X*	Shaft-seal assembly for GC-1 and MC-1	1
26	649-15	Bearing retainer plate	1
27	10-32Tx1/2L	Fillister head screws for bearing retainer plate	6
28	VC-20*	Complete drive coupling, 5/8" x 5/8"	1
29	FD-20 FD-20T**	Coupling insert	1

* Recommended for Pump Rebuild ** Parts or model types for special or heavy duty applications.

Visit www.teecoproducts.com to place your order.
Or call your local Teeco Branch:

Sacramento, CA
800-225-6621

Auburn, WA
800-426-9456

Rapid City, SD
800-843-8660

Free Shipping on Online Orders of \$975 or More!

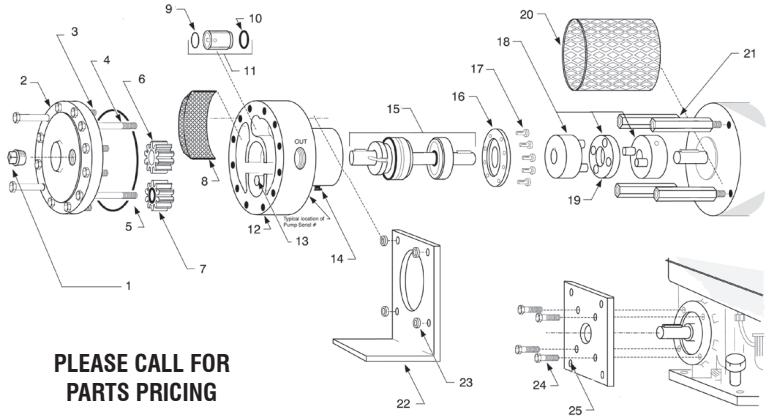
For details, go to www.teecoproducts.com

Smith Pumps - Parts for E-Series and D-Series

E-Series Parts Details

Ref #	Part #	Description	Qty.
1	12PLUG 34PLUG	1/2" NPT square head steel pipe plug for EG-1* 3/4" NPT square head steel pipe plug for EC-H*	1 1
2	E-2 E-2H	Gear end cover for EG-1 pump Gear end cover for ECH pump	1
3	3/8-16Tx1-1/2L	Short Gr.5 cap screws for gear end cover	8
4	3/8-16Tx3-1/2L	Long Gr. 5 cap screws for mounting to spacers	4
5	6230-28*	O-ring for gear end cover	1
6	EG-5* EC-5H*	Drive gear for EG-1 Drive gear for EC-H	1 1
7	EG-6* EC-6H*	Idler gear with E-10 bushing for EG-1 Idler gear with E-10 bushing for EC-H	1 1
8	E-21	Strainer screen	1
9	568-118	Top O-ring	1
10	6227-17	Bottom O-ring	1
11	E-20ASSY*	Bypass valve cartridge- Includes O-rings	1
12	E-1 E-1H	Main housing for EG-1 Main housing for EC-H	1 1
13	E-9	Idler gear shaft	1
14	105CUP	Leak detection port with bleeder cup	1
15	E-100X* E-100HX*	Shaft - Seal assembly for EG-1 Shaft seal assembly for EC-H	1 1
16	E-15	Bearing retainer plate	1
17	10-32Tx1/2L	Fillister head screws for bearing retainer plate	8

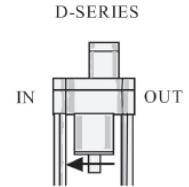
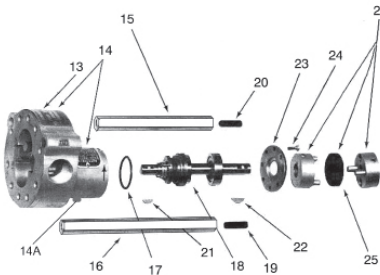
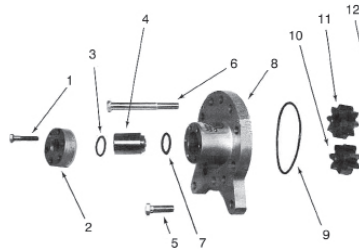
* Recommended for Pump Rebuild



PLEASE CALL FOR PARTS PRICING

Ref #	Part #	Description	Qty.
18	VC-20* VC-30*	Complete drive coupling (electric motor use) EG-1** Complete drive coupling (electric motor use) EC-H**	1 1
19	FD-20 FD-30	Coupling insert for EG-1 Coupling insert for EC-H	1 1
20	CG-E	Optional - coupling guard screen	1
21	E-3	Mounting spacers with studs	4
22	E-52	Optional - foot mounting bracket	1
23	R3-21	Spacers for optional foot mount bracket	4
24	5/16-24Tx1L	Gr. 5 cap screws for mounting adapter plate	4
25	E-51	Engine adapter plate	1

PLEASE CALL FOR PARTS PRICING



D-Series Parts Details

Ref #	Part #	Description	Qty.
1	1/4-20Tx1-1/4L	Cap screws	6
2	D-3	Bypass flange, 1/2" FNPT	1
3	568-118	O-ring for bypass valve (top)	1
4	E-20ASSY*	Bypass valve assembly with O-rings	1
5	3/8-16Tx1-1/4L	Cap screws	8
6	3/8-16Tx3-1/4L	Cap screws	2
7	6227-17	O-ring for bypass valve (bottom)	1
8	D-2	Gear end cover	1
9	6230-14	O-ring for gear end cover	1
10	EG-5* EC-5H*	Drive gear for DW-1 Drive gear for DW-H	11
11	EG-6* EC-6H*	Idler gear with bushing for DW-1 Idler gear with bushing for DW-H	11
12	D-21	Strainer screen	1
13	D-1 D-1H	Main housing for DW-1 Main housing for DW-H	11

* Recommended for Pump Rebuild

Ref #	Part #	Description	Qty.
14	L-3 L-7	Label plates Instruction plate	1 1
14A	105CUP	Leak detection port with bleeder cup	1
15	D-3S	Mounting spacer (short) w/studs	2
16	D-3L D-3LH	Mounting spacers (long) for DW-1 w/studs Mounting spacers for DW-H w/studs	2 2
17	6227-27	O-ring for O.D. of seal assembly	1
18	E-100X* E-100HX*	Shaft seal assembly for DW-1 Shaft seal assembly for DW-H	1 1
19	Stud	Stud	1
20	Stud	Stud	1
21	5-KEY	Gear key	1
22	61-KEY	Coupling key	1
23	E-15	Bearing retainer plate	1
24	10-32Tx1/2L	Fillister head screws	8
25	FD-20	Coupling insert	1
26	VC-20*	Complete drive coupling	1